



U.S. Department  
of Homeland Security  
**United States  
Coast Guard**

## LOCAL NOTICE TO MARINERS

**District 8 MRS**

**Week: 48/23**

### Mississippi River System

LIGHT LIST VOLUME V  
NOTICE NUMBER 48-23  
November 29, 2023

LIGHT LIST REFERENCE: COMDTPUB P16502.5, Vol V, 2023 Edition.

CONTENTS: Rivers are listed in alphabetical order and are included only when there is information to report.  
Broadcast Notice to Mariners Covered in this Edition

Originating Unit	Beginning BNM's	Ending BNM's
Sector Upper Mississippi River	0314 - 23 (UM)	0316 - 23 (UM)
Sector Lower Mississippi River	0083 - 23 (LM)	0084 - 23 (LM)
Sector Ohio Valley	0494 - 23 (OV)	0497 - 23 (OV)
OB DWB	0106 - 23 (DWB)	0110 - 23 (DWB)

COAST GUARD DISTRICT 8, WATERWAYS, (504) 671-2327, 7:00 a.m. until 3:30 p.m. (CST)

GENERAL LNM QUESTIONS, COMMENTS, OR SUGGESTIONS MAY BE E-MAILED TO: D8MarineInfo@uscg.mil  
COMMENTS REGARDING SECTION VI – PROPOSED CHANGES MAY ALSO BE EMAILED TO: LocalNoticeFeedback@uscg.mil  
NIS WATCHSTANDER PHONE (703) 313-5900, 24-HOURS A DAY

INTERNET ADDRESS <https://www.navcen.uscg.gov/>

MISSISSIPPI RIVER SYSTEM LNM VIA INTERNET <https://www.navcen.uscg.gov/>

MISSISSIPPI RIVER SYSTEM LIGHT LIST VIA INTERNET [https://www.navcen.uscg.gov/pdf/lightLists/LightList\\_V5\\_2023.pdf](https://www.navcen.uscg.gov/pdf/lightLists/LightList_V5_2023.pdf)

### ABBREVIATIONS

#### A through H

ADRIFT - Buoy Adrift  
AICW - Atlantic Intracoastal Waterway  
Al - Alternating  
B - Buoy  
BKW - Breakwater  
bl - Blast  
BNM - Broadcast Notice to Mariner  
bu - Blue  
C - Canadian  
CHAN - Channel  
CGD - Coast Guard District  
C/O - Cut Off  
CONT - Contour  
CRK - Creek  
CONST - Construction  
DAYMK/Daymk - Daymark  
DBN/Dbn - Daybeacon  
DBD/DAYBD - Dayboard  
DEFAC - Defaced  
DEST - Destroyed  
DISCON - Discontinued  
DMGD/DAMGD - Damaged  
ec - eclipse  
EST - Established Aid  
ev - every  
EVAL - Evaluation  
EXT - Extinguished  
F - Fixed  
fl - flash  
Fl - Flashing  
G - Green  
GIWW - Gulf Intracoastal Waterway  
HAZ - Hazard to Navigation  
HBR - Harbor  
HOR - Horizontal Clearance

#### I through O

I - Interrupted  
ICW - Intracoastal Waterway  
IMCH - Improper Characteristic  
INL - Inlet  
INOP - Not Operating  
INT - Intensity  
ISL - Islet  
Iso - Isophase  
kHz - Kilohertz  
LAT - Latitude  
LB - Lighted Buoy  
LBB - Lighted Bell Buoy  
LHB - Lighted Horn Buoy  
LGB - Lighted Gong Buoy  
LONG - Longitude  
LNM - Local Notice to Mariners  
LT - Light  
LT CONT - Light Continuous  
LTR - Letter  
LWB - Lighted Whistle Buoy  
LWP - Left Watching Properly  
MHz - Megahertz  
MISS/MSNG - Missing  
Mo - Morse Code  
MRASS - Marine Radio Activated Sound Signal  
MSLD - Misleading  
N/C - Not Charted  
NGA - National Geospatial-Intelligence Agency  
NO/NUM - Number  
NOS - National Ocean Service  
NW - Notice Writer  
OBSCU - Obscured  
OBST - Obstruction  
OBSTR - Obstruction  
Oc - Occulting

#### P through Z

PRIV - Private Aid  
Q - Quick  
R - Red  
RACON - Radar Transponder Beacon  
Ra ref - Radar reflector  
RBN - Radio Beacon  
REBUILT - Aid Rebuilt  
RECOVERED - Aid Recovered  
RED - Red Buoy  
REFL - Reflective  
RRL - Range Rear Light  
RELIGHTED - Aid Relit  
RELOC - Relocated  
RESET ON STATION - Aid Reset on Station  
RFL - Range Front Light  
RIV - River  
RRASS - Remote Radio Activated Sound Signal  
s - seconds  
SEC - Section  
SHL - Shoaling  
si - silent  
SIG - Signal  
SND - Sound  
SPM - Single Point Mooring Buoy  
SS - Sound Signal  
STA - Station  
STRUCT - Structure  
St M - Statute Mile  
TEMP - Temporary Aid Change  
TMK - Topmark  
TRLB - Temporarily Replaced by Lighted Buoy  
TRLT - Temporarily Replaced by Light  
TRUB - Temporarily Replaced by Unlighted Buoy  
USACE - Army Corps of Engineers  
W - White

**Additional Abbreviations Specific to this LNM Edition:**

RIAC - River Industry Action Committee  
MMSI - Mobile Maritime Service Identity  
AIS - Automatic Identification System  
ATON - Aids To Navigation  
COTP - Captain of The Port  
TRDBN - Temporary Replaced by Daybeacon  
C.F.S. - Cubic Feet per Second  
CFR - Code of Federal Regulations  
IAW - In Accordance With  
H.P. - Horse Power  
MPH - Miles Per Hour  
TVA - Tennessee Valley Authority  
INC - Incorporated  
IENC - Inland Electronic Navigation Chart  
WAP - Waterway Action Plan  
MSIB - Marine Safety Information Bulletin  
L/D - Lock and Dam

---

**SECTION I - SPECIAL NOTICES**

This section contains information of special concern to the Mariner.

---

**DEPARTMENT OF HOMELAND SECURITY SUSPICIOUS ACTIVITY**

The Department of Homeland Security (DHS) encourages the maritime public to report information concerning suspicious activity to the local Federal Bureau of Investigation Joint Terrorism Task Force (JTTF) Office, [http://www.fbi.gov/about-us/investigate/terrorism/terrorism\\_jtfts](http://www.fbi.gov/about-us/investigate/terrorism/terrorism_jtfts), or to other appropriate authorities. The U.S. Coast Guard reminds the maritime industry that they may also report information concerning suspicious activity to the [www.AmericasWaterwayWatch.org](http://www.AmericasWaterwayWatch.org), the National Response Center (NRC) 1-800-424-8802 or 1-877-24WATCH.

LNM: 02-19

**WESTERN RIVERS FLOATING AIDS TO NAVIGATION**

The U.S. Coast Guard is responsible for placing and maintaining all aids to navigation. Buoys are set to mark project depths taking into consideration the prevailing river stages and obstructions. Buoy positions on the Inland Electronic Navigation Chart (IENC) are approximate, and subject to change depending on prevailing river stages and obstructions.

Buoys should always be given as wide a berth in passing as possible, consistent with the length and width of the vessel or tow and the width of the bend or crossing.

Buoys should always be used with caution. They may be carried off position by high water, accumulation of drift, ice, or sunk by collision or other causes. In those circumstances buoy marks will remain on the IENC and indicate the last known position of the buoy. Presence of a buoy mark on the IENC does not necessarily mean a buoy will be physically on position. When buoys are missing they will be replaced as soon as possible.

LNM: 16-19

**U.S. Coast Guard eDelivery of Broadcast Notice to Mariners (eBNMs)**

The U.S. Coast Guard has announced a new manner of delivering Broadcast Notice to Mariners (BNMs). Traditionally, the Coast Guard has relied solely on transmitting these notices via voice transmissions on maritime VHF-FM frequencies. As part of the Coast Guard's commitment to harnessing technology for safer navigation, we have augmented the required VHF-FM radio delivery method to provide real-time information directly to registered devices. All Coast Guard Sectors and Districts are now actively transmitting BNMs online and through an email subscription service. Mariners are encouraged to subscribe to receive Broadcast Notice to Mariners via email at the following website:

<https://www.navcen.uscg.gov/subscribe-email-rss-feeds>. To access, search and retrieve BNMs online for an area of interest, mariners should visit: <https://www.navcen.uscg.gov/broadcast-notice-tomariners>.

LNM: 43-23

**GPS TESTING**

At times, throughout our area of responsibility, multiple U.S. Government Agencies conduct GPS testing. These tests vary in duration, affected range from the test site and potential impact to the maritime user as they may affect systems that rely on GPS such as E-911, AIS and DSC. More information is available at the U.S. Coast Guard Navigation Center Website, <https://www.navcen.uscg.gov>. During these periods, GPS users are encouraged to report any GPS outages that they may experience, to the Navigation Information Service (NIS) by calling (703) 313-5900 or by using the NAVCEN Website to submit a GPS problem report.

LNM: 07-19

**HIGH/LOW WATER FLOW CONDITIONS**

During periods of high/low water flow conditions on the Mississippi River System, Captains of the Port, will issue Safety Advisories for their specific areas of responsibility via Broadcast Notice to Mariners. Mariners are encouraged to monitor the Sector Broadcast Notice to Mariners to ensure they are receiving the most up-to-date information.

LNM: 04-23

#### **ARKANSAS RIVER - USACE CHANNEL STATUS REPORTS**

Attached as an enclosure to this LNM is USACE Arkansas River Channel Status Report.

LNM: 09-23

#### **UPPER MISSISSIPPI RIVER/ST. CROIX RIVER/MISSOURI RIVER - DRAWBRIDGE OPERATION**

Attached as an enclosure to this LNM, is Special Public Notice D8 DWB-919, regarding drawbridge operations on the Upper Mississippi River, St. Croix River and the Missouri River.

LNM: 47-23

#### **UPPER MISSISSIPPI RIVER - USACE L/D WINTER CLOSURES**

Attached as an enclosure to this LNM is USACE St. Paul District Navigation Notice 23-09, regarding L/D winter lock closures.

LNM: 44-23

#### **SUNSET OF NOAA PRINTED CHARTS**

\*\*\*\* Cancellation of NOAA Paper and Raster Nautical Charts \*\*\*\*

The National Oceanic and Atmospheric Administration (NOAA) is undertaking a multi-year program to end production and maintenance of its suite of over 1,000 traditional paper nautical charts and all associated raster chart products and services, including: Print-on-Demand (POD) paper nautical charts, Full-size chart PDF files, BookletChart™ PDF files, NOAA raster navigational charts (NOAA RNC®), the NOAA RNC tile service, and the online RNC viewer.

Six months notice of the intent to cancel a specific chart is provided in a "Last Edition" notice. The final cancellation of a chart is made in a "Canceled" notice. Both types of notices will appear in LNM Section IV, "Chart Correction". A comprehensive list of all canceled NOAA charts is available at: <http://www.charts.noaa.gov/MCD/Dole.shtml>.

Traditional paper nautical chart production is ending to enable the creation and maintenance of larger scale, more up-to-date, higher quality coverage of NOAA's electronic navigational chart (NOAA ENC®) product. This will significantly enhance the amount of charted detail available to mariners. More information about NOAA's program to sunset traditional paper charts is on the NOAA Coast Survey website at: <https://nauticalcharts.noaa.gov/charts/farewell-to-traditional-nautical-charts.html>.

An online NOAA Custom Chart application at: <https://devgis.charttools.noaa.gov/pod> is available to create chart images from ENC data, which may then be printed. Notices to Mariners will not be issued for NOAA Custom Charts.

LNM: 10-21

#### **LOWER MISSISSIPPI RIVER - CHANNEL CONDITION/SAFETY ADVISORY - UPDATE**

The U.S. Coast Guard COTP Ohio Valley has issued a low water Safety Advisory between approximate Miles 953.8 and 869.0. The USACE maintained depths and widths, may not be attainable on all buoy lines. It is recommended that mariners monitor all gauge readings, for safe navigation. The U.S. Coast Guard COTP Lower Mississippi River with the concurrence of the Lower Mississippi River Committee, recommend the following limits for tows:

Transiting southbound between Miles 953.8 and 869.0

Drafts no greater than 10.5 feet.

Barges to be configured no more than 6 wide total.

Transiting northbound between Miles 953.8 and 869.0

Drafts no greater than 9.5 feet.

Barges to be configured no more than 6 wide total.

Barges currently in the system, with drafts greater than the advised depths, should be placed as near to the center of the tow as possible. Mariners are requested to contact U.S. Coast Guard Sector Ohio Valley via VHF-FM Channel 16 or at (502) 779-5425, to report areas of shoaling, hazardous conditions or missing aids to navigation.

LNM: 48-23

#### **UPPER MISSISSIPPI RIVER - ILLINOIS RIVER - CHANNEL CONDITIONS/SAFETY ADVISORY**

Due to extreme low water, U.S. Coast Guard Sector Upper Mississippi River has issued a Safety Advisory for the Upper Mississippi River between Miles 185.4 and 109.9, and on the Illinois River Between Miles 0.0 and 187.0. Attached as an enclosure to this LNM is U.S. Coast Guard Sector Upper Mississippi River MSIB 05-23, extreme low water advisory.

LNM: 38-23

#### **TENNESSEE RIVER/CUMBERLAND RIVER - OCTOBER - NOVEMBER/MARINE EVENTS/PLANNED RIVER CLOSURES**

Attached as an enclosure to this LNM is U.S. Coast Guard Marine Safety Detachment Nashville notice of marine events and planned river closures for October and November.

LNM: 35-23

---

## **SECTION II - DISCREPANCIES**

This section lists all reported and corrected discrepancies related to Aids to Navigation in this edition. A discrepancy is a change in the status of an aid to navigation that differs from what is published or charted.

---

**DISCREPANCIES (FEDERAL AIDS)**

<u>LLNR</u>	<u>Aid Name</u>	<u>Status</u>	<u>Chart No.</u>	<u>BNM Ref.</u>	<u>LN M St</u>	<u>LN M End</u>
990	Milligan Bend Light	STRUCT DEST		0642LM	51/19	
1010	Webber Falls Jetty Light	STRUCT DEST		0641LM	51/19	
1020	Bluff View Light	STRUCT DEST		0640LM	51/19	
1055	Hisaw Bottom Light	LT EXT		0196LM	40/18	
1070	Brier Creek Light	STRUCT DEST		0205LM	31/15	
1077	Sandtown Bottom Light	STRUCT DEST		0457LM	39/19	
1200	Black Rock Daybeacon	STRUCT DEST		0379LM	35/19	
1205	Gans Light	STRUCT DEST		0335LM	33/19	
1213	Non Lateral Mark 330.4	STRUCT DEST		0087LM	05/16	
1220	Onion Creek Daybeacon	STRUCT DMGD		0334LM	33/19	
1223	Non Lateral Mark 328.5	STRUCT DMGD		0333LM	33/19	
1225	Tucker Lake Light	STRUCT DEST		0332LM	33/19	
1230	Mcnabb Bottom Daybeacon	STRUCT DEST		0332LM	33/19	
1240	Deadman Slough Light	STRUCT DEST		0330LM	33/19	
1255	Wilson's Rock Light	STRUCT DMGD		0380LM	35/19	
1265	Peno Point Daybeacon	DAYMK DMGD		0580LM	47/19	
1267	Non Lateral Mark 313.9	STRUCT DEST		0089LM	05/16	
1315	Garrison Creek Daybeacon	DAYMK MISSING		0377LM	35/19	
1360	Crawford County Daybeacon	STRUCT DEST		0378LM	35/19	
1365	Jeffrey Light	DAYMK MISSING		0376LM	35/19	
1390	Fort Chaffee Light	STRUCT DEST		0579LM	47/19	
1395	Haroldton Light	DAYMK MISSING		0578LM	47/19	
1400	New Haroldton Light	STRUCT DEST		0574LM	47/19	
1420	Gun Club Lake Daybeacon	DAYMK MISSING		0582LM	47/19	
1427	Big Creek Daybeacon	DAYMK MISSING		0575LM	47/19	
1430	Arbuckle Island Light	STRUCT DEST		0091LM	05/16	
1435	Clear Creek Light	DAYMK MISSING		0584LM	41/19	
1445	Crooked Slough Light	STRUCT DEST		0583LM	47/19	
1455	Mulberry River Daybeacon	STRUCT DEST		0041UM	11/17	
1510	Moore's Creek Light	LT IMCH/STRUCT DMGD		0394LM	44/16	
1515	Roseville Daybeacon	DAYMK MISSING		0604LM	50/19	
1520	O'Kane Island Light	LT IMCH/STRUCT DMGD		0393LM	44/16	
1525	Alix Bottom Light	STRUCT DEST		0605LM	50/19	
1530	County Line Daybeacon	STRUCT DEST		0606LM	50/19	
1532	Non Lateral Mark 246.3	DAYMK MISSING		0607LM	50/19	
1535	Kalamazoo Light	DAYMK MISSING		0608LM	50/19	
1562	Non Lateral Mark 236.3	DAYMK MISSING		0609LM	50/19	
1615	Dublin Daybeacon	STRUCT DEST		0610LM	50/19	
1650	Bunker Hill Upper Daybeacon	STRUCT DEST		0639LM	51/19	
1660	Bunker Hill Lower Daybeacon	STRUCT DEST		0643LM	51/19	
1695	Dardanelle Reach Light	DAYMK DMGD		0204LM	31/15	
1697	Non Lateral Mark 201.4	STRUCT DEST		0200LM	41/18	
1700	Elberta Light	DAYMK MISSING		0611LM	50/19	
1705	Old Neely Daybeacon	DAYMK MISSING		0612LM	50/19	
1708	Non Lateral Mark 197.9	STRUCT DEST		0052LM	13/17	
1715	Hola Bend Cutoff Light	DAYMK MISSING		0614LM	50/19	
1725	Reeds Ferry Light	DAYMK MISSING		0615LM	50/19	

1735	Sweeden Island Light	LT EXT/DAYMK MISSING	0617LM	50/19
1738	Non Lateral Mark 188.8	DAYMK MISSING	0618LM	50/19
1745	Wilson Light	STRUCT DEST	0620LM	50/19
1770	Willow Bend Lower Daybeacon	DAYMK MISSING	0621LM	50/19
1798	Non Lateral Mark 175.6	DAYMK MISSING	0622LM	50/19
1800	Point Remove Creek Light	DAYMK MISSING	0623LM	50/19
1815	Ellis Island Light	STRUCT DEST	0630LM	51/19
1817	Non Lateral Mark 171.2	DAYMK MISSING	0631LM	51/19
1845	Stane Reach Upper Daybeacon	DAYMK DMGD	0634LM	51/19
1850	Stane Reach Light	DAYMK DMGD	0635LM	51/19
1890	Belk Corner Light	DAYMK MISSING/STRUCT DMGD	0558LM	45/19
1903	Non Lateral Mark 150.9	DAYMK MISSING	0560LM	45/19
1915	Bigelow Middle Daybeacon	DAYMK DMGD	0563LM	45/19
1920	Bigelow Lower Light	DAYMK MISSING	0538LM	44/19
1930	Tri County Light	STRUCT DEST	0370LM	41/16
1948	Non Lateral Mark 138.8	DAYMK MISSING	0539LM	44/19
1953	Non Lateral Mark 137.6	DAYMK MISSING	0540LM	44/19
1960	Palarm Light	DAYMK MISSING	0541LM	44/19
1975	Maumelle River Upper Daybeacon	STRUCT DEST	0565LM	45/19
2030	Burns Park Light	STRUCT DEST	0514LM	42/19
2045	Waterworks Bend Light	DAYMK DMGD	0515LM	42/19
2143	Non Lateral Mark 106.5	DAYMK MISSING	0637LM	51/19
2160	Estes Place Light	DAYMK IMCH/STRUCT DMGD	0396LM	44/16
2199	Non Lateral Mark 92.0	STRUCT DEST	0398LM	44/16
2370	Ste. Marie Bend Lower Daybeacon	STRUCT DEST	0407LM	45/16
2435	Richland Bend Middle Daybeacon	STRUCT DEST	0099LM	16/18
2485	Little Bayou Meto Lower Daybeacon	DAYMK DMGD	0094LM	15/18
2498	Cummins Bend Daybeacon	STRUCT DEST	0103LM	06/16
2540	Sample Island Light	STRUCT DEST	0106LM	06/16
2550	Sample Island Lower Light	STRUCT DEST	0107LM	06/16
2665	Owens Lake Daybeacon	DAYMK DMGD	0110LM	06/16
3655	Cages Bend Light	STRUCT DEST	0660OV	38/19
3680	Lindsley Island Lower Light	LT EXT	0193OV	22/23
3965	Watkins Daybeacon	STRUCT DEST	0245OV	19/17
4250	Shammels Mound Landing Light	STRUCT DEST	0010OV	02/16
4285	Saline Creek Light	STRUCT DEST/TRUB	0221OV	26/16
4315	Pryors Creek Light	STRUCT DEST	0030OV	02/20
4340	Devils Elbow Light	STRUCT DEST	0306OV	16/18
4365	Bleidt Landing Light	STRUCT DEST/TRUB	0137OV	17/21
4390	Crooked Creek Light	STRUCT DEST/TRUB	0383OV	36/16
4425	Commerce Landing Light	STRUCT DEST	0520OV	42/22
4455	Prison Farm Landing Light	STRUCT DEST	0145OV	17/21
4500	Kuttawa Bar Light	STRUCT DEST	0243OV	12/18
4505	Money Cliff Light	STRUCT DEST	0364OV	19/18
6810	Halls Landing Daybeacon	STRUCT DMGD	0024MI	07/23
6885	Lacon Light	STRUCT DEST	0261UM	38/23
6905	Woodyard Creek Light	STRUCT DEST	0260UM	38/23
6930	Spring Branch Light	STRUCT DEST	0262UM	38/23
6985	Sand Point Lower Light	STRUCT DEST	0102UM	20/22

6990	Circle Light	STRUCT DMGD	0102UM	20/22
6995	Spring Bay Daybeacon	STRUCT DEST	0102UM	20/22
7035	Drolls Point Light	STRUCT DEST/TRLB	0233UM	23/20
7585	Frederick Light	STRUCT DEST	0539UM	29/19
7695	Moores Island Light	STRUCT DEST	0037UM	12/22
7705	Wilson Island Daybeacon	DAYMK DMGD	0104UM	18/21
7850	Florence Light	LT EXT	0055UM	14/22
9150	Washita Point Light	LT EXT	0395LM	33/20
9185	Preston Peninsula Light	REDUCED INT	0420LM	46/16
10185	Cedar Point Light	REDUCED INT	0031LM	18/22
10195	Dean Island Light	REDUCED INT	0327LM	33/19
10210	Brandywine Chute Light	REDUCED INT	0031LM	18/22
10225	Island 40 Foot Light	STRUCT DEST	0232LM	49/18
10540	Harbert Point Light	LT EXT	0256LM	36/15
10545	Stumpy Point Light	STRUCT DEST	0249LM	52/18
10625	Delta Lower Light	STRUCT DEST	0118LM	06/16
10650	Miller Point Light	STRUCT DEST	0171LM	14/16
10660	Old Town Bend Foot Light	STRUCT DEST	0253LM	36/15
10685	Robson Light	STRUCT DEST	0116LM	06/16
10700	Sunflower Cut-Off Foot Light	STRUCT DEST	0115LM	06/16
10710	Ludlow Bar Light	DAYMK DMGD	0018LM	04/18
10715	Wood Cottage Light	STRUCT DEST	0114LM	06/16
10720	Knowlton Light	STRUCT DEST	0113LM	06/16
10730	Mason Landing Daybeacon	STRUCT DEST	0172LM	14/16
10815	Riverton Middle Bar Light	STRUCT DEST	0113LM	21/18
10885	Cypress Bend Light	STRUCT DEST	0032LM	07/18
10895	Eutaw Bar Light	STRUCT DEST	0365LM	35/19
10905	Mounds Crevasse Lower Light	STRUCT DEST	0114LM	21/18
10910	Boliver Light	STRUCT DEST	0069LM	11/18
10955	Miller Bend Light	STRUCT DEST	0030LM	06/18
10965	La Grange Towhead Light	STRUCT DEST	0367LM	35/19
11050	Vaucluse Bend Light	STRUCT DEST	0028LM	06/18
11070	Anconia Point Light	STRUCT DEST	0368LM	35/19
11080	Lakeport Light	STRUCT DEST	0369LM	35/19
11085	Walnut Point Light	STRUCT DEST	0370LM	35/19
11125	Corregidor Light	STRUCT DEST	0080LM	05/16
11130	Sarah Island Light	STRUCT DEST	0371LM	35/19
11170	Stack Island Light	STRUCT DEST	0372LM	35/19
11180	STACK ISLAND LOWER LIGHT	STRUCT DEST	0373LM	35/19
11195	Chinaman Light	STRUCT DEST	0374LM	35/19
11220	Cottonwood Bar Pointway Light	STRUCT DEST	0449LM	38/19
11235	Goodrich Light	STRUCT DEST	0082LM	47/23
11245	Willow Point Light	DAYMK DMGD	0450LM	38/19
11270	Cabin Teele Light	STRUCT DEST	0452LM	38/19
11275	Marshall Point Cut-Off Daybeacon	STRUCT DEST	0453LM	38/19
11407	Coggins Light	STRUCT DEST	0296LM	29/16
11430	Sargent Point Light	LT IMCH/DAYMK DMGD	0465LM	39/19
11455	Buckridge Light	STRUCT DEST	0467LM	39/19
11505	Old Levee Light	LT IMCH/DAYMK DMGD	0470LM	39/19

11520	Ashland Light	LT IMCH/DAYMK DMGD	0471LM	39/19
11530	Hole In The Wall Light	LT IMCH/REDUCED INT	0472LM	39/19
11680	Bob Boles Light	STRUCT DEST		18/23
11700	Fort Adams Light	STRUCT DEST	0402LM	36/19
11795	Morganza Crevasse Light	STRUCT DEST	0400LM	36/19
11835	Bayou Sara Bend Light	STRUCT DEST	0399LM	36/19
11860	Port Hudson Light	STRUCT DEST	0581NO	36/19
11940	Ben Burman Light	STRUCT DEST	0549LM	44/19
12175	Minnesota River Mouth Daybeacon	STRUCT DMGD	0180UM	31/23
12470	Strekfus Daybeacon	STRUCT DEST	0293UM	43/23
12600	Smiths Landing Daybeacon	STRUCT DEST	0293UM	43/23
13165	Lock 5A Light	STRUCT DEST/LT EXT	0270UM	39/23
13230	Island 74 Light	STRUCT DEST/TRUB	0380UM	34/20
13430	Root River Upper Light	STRUCT DEST/HAZ NAV	0172UM	20/20
13510	Perry Ruby Light	STRUCT DEST	0061UM	12/17
13720	Crooked Slough Head Daybeacon	STRUCT DEST/TRUB	0482UM	26/19
13725	Crooked Slough Head Light	STRUCT DEST/TRUB	0482UM	26/19
13765	Island 158 Daybeacon	STRUCT DEST	0271UM	39/23
13795	Gordon Bay Upper Daybeacon	DAYMK MISSING	0285UM	42/23
13895	Clayton Daybeacon	STRUCT DEST	0310UM	43/22
13915	Clayton Lower Daybeacon	STRUCT DEST/TRUB	0240UM	31/18
14010	Cassville Upper Daybeacon	STRUCT DEST	0546UM	29/19
14030	Cassville Lower Light	STRUCT DEST	0546UM	29/19
14105	Maquoketa Island Light	STRUCT DEST	0460UM	25/19
14230	Nine-Mile Island Light	STRUCT DEST	0410LM	36/17
14260	Stone Slough Light	STRUCT DEST	0454UM	25/19
14275	Fever River Light	STRUCT DEST/TRUB	0485UM	45/18
14295	Pulaski Light	STRUCT DEST	0485UM	45/18
14385	Arnold Towhead Light	STRUCT DEST	0449UM	25/19
14445	Sabula Lower Light	STRUCT DEST	0446UM	25/19
14460	Smith Bay Light	STRUCT DEST	0048UM	13/22
14475	Elk River Light	DAYMK DMGD	0257LM	31/21
14610	Adams Island Light	STRUCT DEST	0074UM	21/23
14980	Hershey Chute Upper Light	STRUCT DEST	0074UM	21/23
15170	Edwards Island Upper Light	STRUCT DEST/TRUB	0403UM	26/16
15240	Benton Island Light	STRUCT DEST	0073UM	21/23
15475	Waggoner PT Lighted Buoy	MISSING	0138UM	26/23
15785	Sny River Light	STRUCT DEST	0114UM	22/22
16065	Elswood Lower Light	STRUCT DEST	0030UM	16/23
16110	Hastings Landing Daybeacon	STRUCT DMGD	0282UM	39/22
16120	Cuivre Island Light	STRUCT DEST	0282UM	39/22
16200	Portage Des Sioux Light	LT EXT	0088UM	18/22
16910	Ste. Genevieve Island Light	STRUCT DEST	0557UM	30/19
17970	Fitzhugh Daybeacon	STRUCT DEST	0055UM	19/23
17975	Lower Blencoe Bend Daybeacon	STRUCT DEST	0055UM	19/23
17985	Wahle Daybeacon	STRUCT DEST	0055UM	19/23
18010	Little Sioux Reach Daybeacon	STRUCT DEST	0279UM	41/23
18025	Bullard Bend Daybeacon	STRUCT DEST	0279UM	41/23
18040	Peterson Cut-Off Upper Daybeacon	STRUCT DEST	0279UM	41/23

18055	Sandy Point Daybeacon	DAYMK IMCH	0279UM	41/23
18065	Tyson's Bend Daybeacon	DAYMK IMCH	0279UM	41/23
18140	Dodds Daybeacon	DAYMK IMCH	0279um	41/23
18170	Boyer River Daybeacon	STRUCT DEST	0279UM	41/23
18185	Pottawattamie Daybeacon	DAYMK IMCH	0279UM	41/23
18205	Thornton Daybeacon	DAYMK IMCH	0279UM	41/23
18210	Lower Pigeon Creek Bend Daybeacon	DAYMK IMCH	0279UM	41/23
18270	Council Bend Upper Daybeacon	DAYMK IMCH	0279UM	41/23
18320	Omaha Bend Lower Daybeacon	STRUCT DEST	0279UM	41/23
18325	Gibson Bend Daybeacon	DAYMK IMCH	0279UM	41/23
18345	Manawa Daybeacon	DAYMK IMCH	0279UM	41/23
18380	Bellevue Reach Daybeacon	DAYMK IMCH	0279UM	41/23
18385	St Marys Daybeacon	DAYMK IMCH	0279UM	41/23
18390	Bellevue Reach Lower Daybeacon	DAYMK IMCH	0279UM	41/23
18395	St. Marys Lower Daybeacon	DAYMK IMCH	0279UM	41/23
18425	Platte River Lower Daybeacon	STRUCT DEST	0279UM	41/23
18430	North Daybeacon	STRUCT DEST	0279UM	41/23
18435	South Daybeacon	STRUCT DEST	0279UM	41/23
18440	Pollock Daybeacon	STRUCT DEST	0279UM	41/23
18465	Plattsmouth Daybeacon	STRUCT DEST	0279UM	41/23
18470	Tobacco Bend Daybeacon	DAYMK IMCH	0279UM	41/23
18480	Rock Bluff Daybeacon	STRUCT DEST	0279UM	41/23
18485	King Hill Quarry Daybeacon	STRUCT DEST	0279UM	41/23
18490	Calumet Bend Daybeacon	STRUCT DEST	0279UM	41/23
18495	Auldon Bar Daybeacon	STRUCT DEST	0279UM	41/23
18515	Fremont County Daybeacon	DAYMK IMCH	0279UM	41/23
18520	Jones Point Daybeacon	STRUCT DEST	0279UM	41/23
18530	Civil Bend Upper Daybeacon	STRUCT DEST	0279UM	41/23
18580	Nebraska Bend Daybeacon	DAYMK IMCH	0279UM	41/23
19120	Burr Oak Daybeacon	DAYMK IMCH	0279UM	41/23
19125	Dillon Creek Daybeacon	DAYMK IMCH	0279UM	41/23
19130	Bon Ton Daybeacon	DAYMK IMCH	0279UM	41/23
19135	Cut-Off 52 Daybeacon	DAYMK IMCH	0279UM	41/23
19140	Perry Daybeacon	DAYMK IMCH	0279UM	41/23
19145	St. Joseph Daybeacon	DAYMK IMCH	0279UM	41/23
19225	Stoney Daybeacon	DAYMK IMCH	0279UM	41/23
19230	Geary Daybeacon	DAYMK IMCH	0279UM	41/23
19240	Doniphan Upper Daybeacon	DAYMK IMCH	0279UM	41/23
19245	Doniphan Daybeacon	DAYMK IMCH	0279UM	41/23
19250	Rushville Daybeacon	STRUCT DEST	0279UM	41/23
19260	Mud Lake Daybeacon	DAYMK IMCH	0279UM	41/23
19310	Bean Lake Daybeacon	DAYMK IMCH	0279UM	41/23
19320	King Daybeacon	DAYMK IMCH	0279UM	41/23
19325	Oak Mills Daybeacon	DAYMK IMCH	0279UM	41/23
19330	Platte County Daybeacon	DAYMK IMCH	0279UM	41/23
19340	Jackson Daybeacon	STRUCT DEST	0279UM	41/23
19345	Iatan Bend Daybeacon	STRUCT DEST	0279UM	41/23
19365	Kickapoo Daybeacon	DAYMK IMCH	0279UM	41/23
19375	Weston Daybeacon	STRUCT DEST	0279UM	41/23



19385	Bee Creek Daybeacon	STRUCT DEST	0279UM	41/23
19390	Fort Leavenworth Daybeacon	DAYMK IMCH	0279UM	41/23
19400	Duck Lake Daybeacon	DAYMK IMCH	0279UM	41/23
19435	Leavenworth Bend Daybeacon	DAYMK IMCH	0279UM	41/23
19450	Delaware Daybeacon	DAYMK IMCH	0279UM	41/23
19455	Pope Upper Daybeacon	DAYMK IMCH	0279UM	41/23
19470	Pope Daybeacon	DAYMK IMCH	0279UM	41/23
19485	Waldrons Quarry Daybeacon	DAYMK IMCH	0279UM	41/23
19490	Pomeroy Upper Daybeacon	DAYMK IMCH	0279UM	41/23
19520	Burlington Daybeacon	DAYMK IMCH	0279UM	41/23
19525	Big Eddy Creek Daybeacon	DAYMK IMCH	0279UM	41/23
19575	Jersey Creek Daybeacon	DAYMK IMCH	0279UM	41/23
19650	City Dump Daybeacon	DAYMK IMCH	0279UM	41/23
19690	Randolph Bend Daybeacon	DAYMK IMCH	0279UM	41/23
19700	Hawthorn Daybeacon	DAYMK IMCH	0279UM	41/23
19725	Smoke Stack Daybeacon	DAYMK IMCH	0279UM	41/23
19730	Courtney Daybeacon	DAYMK IMCH	0279UM	41/23
19740	Liberty Daybeacon	DAYMK IMCH	0279UM	41/23
19745	Eton Daybeacon	DAYMK IMCH	0279UM	41/23
19790	Clay County Daybeacon	STRUCT DEST	0279UM	41/23
19800	Little Blue Daybeacon	DAYMK IMCH	0279UM	41/23
19810	Jackass Daybeacon	DAYMK IMCH	0279UM	41/23
19815	Jackass Lower Daybeacon	DAYMK IMCH	0279UM	41/23
19895	Sni Bend Lower Daybeacon	DAYMK IMCH	0279UM	41/23
19915	Myrick Daybeacon	DAYMK IMCH	0279UM	41/23
19930	Sunshine Chute Daybeacon	DAYMK IMCH	0279UM	41/23
19950	Crooked River Daybeacon	DAYMK IMCH	0279UM	41/23
19960	Sheep Nose Daybeacon	DAYMK IMCH	0279UM	41/23
19970	Tabo Bend Lower Daybeacon	DAYMK IMCH	0279UM	41/23
19975	Berlin Bend Daybeacon	DAYMK IMCH	0279UM	41/23
19985	Dover Daybeacon	DAYMK IMCH	0279UM	41/23
20010	Hawkins Daybeacon	DAYMK IMCH	0279UM	41/23
20020	Moberly Bend Daybeacon	DAYMK IMCH	0279UM	41/23
20055	Mische Daybeacon	DAYMK IMCH	0279UM	41/23
20060	Bakers Bend Daybeacon	DAYMK IMCH	0279UM	41/23
20070	Cranberry Daybeacon	DAYMK IMCH	0279UM	41/23
20080	Sergeant Floyd Daybeacon	STRUCT DEST	0279UM	41/23
20085	Tamerlane Bend Daybeacon	DAYMK IMCH	0279UM	41/23
20090	Malta Bend Slough Daybeacon	DAYMK IMCH	0279UM	41/23
20165	Harris Daybeacon	DAYMK IMCH	0279UM	41/23
20190	Kinkhorst Daybeacon	STRUCT DEST	0279UM	41/23
20210	Grand River Daybeacon	DAYMK IMCH	0279UM	41/23
20220	Chariton Daybeacon	DAYMK IMCH	0279UM	41/23
20225	Bushwacker Daybeacon	DAYMK IMCH	0279UM	41/23
20245	New Frankfort Daybeacon	STRUCT DEST	0279UM	41/23
20275	Wilhoite Bend Daybeacon	DAYMK IMCH	0279UM	41/23
20285	Cambridge Bend Daybeacon	DAYMK IMCH	0279UM	41/23
20290	Cambridge Bend Lower Daybeacon	STRUCT DEST	0279UM	41/23
20300	Chariton River Daybeacon	DAYMK IMCH	0279UM	41/23

20310	Glasgow Daybeacon	STRUCT DEST	0292UM	44/23
20345	Bluffport Daybeacon	DAYMK IMCH	0279UM	41/23
20350	Boonesboro Daybeacon	DAYMK IMCH	0279UM	41/23
20365	Euphrase Bend Lower Daybeacon	DAYMK IMCH	0279UM	41/23
20370	Fish Creek Daybeacon	DAYMK IMCH	0279UM	41/23
20380	Lisbon Daybeacon	DAYMK IMCH	0279UM	41/23
20400	Howell Daybeacon	DAYMK IMCH	0279UM	41/23
20405	Sights Quarry Daybeacon	DAYMK IMCH	0279UM	41/23
20410	Slaughterhouse Chute Daybeacon	DAYMK IMCH	0279UM	41/23
20415	Slaughterhouse Daybeacon	DAYMK IMCH	0279UM	41/23
20420	Slaughterhouse Lower Daybeacon	DAYMK IMCH	0279UM	41/23
20570	Petite Saline Daybeacon	DAYMK IMCH	0279UM	41/23
20690	Jefferson City Upper Daybeacon	DAYMK IMCH	0279UM	41/23
25355	Sciotoville Light	LT EXT	0095OV	11/23
26047	Sunken Barge Lighted Buoy WR	MISSING	0519OV	51/21
26047	Sunken Barge Lighted Buoy WR	SINKING/LT EXT	0199OV	22/23
26470	Notch Lick Light	STRUCT DEST	0210OV	23/21
27090	Wolf Creek Light	LT EXT	0064OV	05/22
27520	Robert Mann Light	STRUCT DEST	0269OV	21/22
27540	Water Works Light	STRUCT DMGD	0179OV	12/22
27855	Graham Varble Light	STRUCT DEST	0134OV	17/21
27935	Dekoven Light	STRUCT DEST	0294OV	23/22
29231.34	Westdale Middle Daybeacon	STRUCT DEST/TRUB	0121LM	44/22
29241.25	Smith Island Lower Daybeacon	STRUCT DEST	0202LM	26/21
29272	Deloges Middle Daybeacon	DAYMK IMCH		36/20
29467	Hog Lake Daybeacon	STRUCT DEST		36/20
29618	Red River Entrance Light	STRUCT DEST		37/20
29665	Dry Cypress Daybeacon	STRUCT DEST		37/20
29690	Bayou Cocodrie Upper Daybeacon	STRUCT DEST		37/20
29695	Bayou Cocodrie Daybeacon	STRUCT DEST		37/20
29710	Grassy Lake Daybeacon	DAYMK MISSING		37/20
29725	Alligator Bayou Daybeacon	STRUCT DEST	0216LM	33/17
29750	Timber Lake Daybeacon	STRUCT DEST		37/20
29755	Naples Daybeacon	STRUCT DEST		37/20
29775	Three Rivers Junction Light	STRUCT DEST		37/20
29780	Barbre Daybeacon	STRUCT DEST		37/20
29785	Torras Daybeacon	STRUCT DEST		37/20
29795	Oak Grove Daybeacon	STRUCT DEST		37/20
29845	Houden Point Daybeacon	STRUCT DEST	0255UM	30/21
32140	Chambers Daybeacon	STRUCT DEST	0178OV	11/13
32170	Diamond Island Lower Daybeacon	STRUCT DEST	0177OV	11/13
32190	Savannah Bend Upper Daybeacon	STRUCT DEST	0039OV	04/23
32335	Brodies Landing Light	STRUCT DEST	0041OV	04/23
32350	Crooked Creek Light	STRUCT DEST	0042OV	04/23
32385	Duck River Light	DAYMK MISSING	0481OV	46/23
32445	Sales Light	TRUB/STRUCT DEST	0269OV	19/14
32460	Reynoldsburg Island Light	STRUCT DEST/TRUB	0290OV	15/18
32465	Shirley Light	STRUCT DEST	0040OV	04/23
32480	Higgins Light	STRUCT DEST	0342OV	27/15

32510	Hurricane Creek Light	STRUCT DEST	0043OV	04/23
32530	Standing Rock Upper Light	STRUCT DEST	0658OV	41/13
32570	Fort Henry Light	STRUCT DEST	0160OV	19/21
32595	Blood River Light	STRUCT DEST/TRUB	0138OV	17/21
32600	Clyde Light	LT EXT	0581OV	44/15
32605	Newburg Light	STRUCT DEST	0362OV	29/15
32710	Twenty-One Mile Light	STRUCT DEST	0108OV	13/23
32715	Chottes Creek Light	STRUCT DEST	0107OV	13/23
32750	Haddock Ferry Light	LT EXT/DAYMK MISSING	0106OV	13/23
32765	Big Chain Light	STRUCT DEST	0105OV	13/23
32780	Mud Creek Light	STRUCT DEST	0036OV	04/23
32825	W. L. Berry Light	STRUCT DEST	0110OV	13/23

**DISCREPANCIES (FEDERAL AIDS) CORRECTED**

LLNR	Aid Name	Status	Chart No.	BNM Ref.	LNM St	LNM End
------	----------	--------	-----------	----------	--------	---------

None

**DISCREPANCIES (PRIVATE AIDS)**

LLNR	Aid Name	Status	Chart No.	BNM Ref.	LNM St	LNM End
1685	Oakley Dock Light	LT EXT		0307LM	44/14	
1690	Mobley Dock Light	LT EXT		0454LM	48/13	
2013	City of Little Rock No Wake Buoy	OFF STA		0015LM	21/23	
2100	Oakley Light	LT EXT		0520LM	42/19	
2337	Island Harbor Marina Light	LT EXT			45/16	
2340	Century Tube Lights (2)	LT EXT			45/16	
2400	Pickett And Davison Lights (2)	LT EXT		0481LM	50/13	
3725	Lakewood Marina Lights (4)	LT IMCH		0439OV	34/15	
3750	Dupont Dock Lights (2)	OFF STA/LT EXT		0305OV	26/15	
3795	Nashville Water Intake Lights (2)	LT EXT			44/11	
3805	Holnam Dock Lights (2)	LT EXT			44/11	
3815	Kerr-Mcgee Dock Lights (2)	LT EXT			44/11	
3820	Cohen Terminal Lights (2)	LT EXT			44/11	
3930	Alcoa Chemical Dock Lights (2)	MSLD SIG/LT EXT		0216OV	14/10	
3960	Hunter Marine Transport Dock Lights (2)	LT EXT			47/08	
3995	Riverview Marina Lights (2)	LT EXT			47/08	
4055	Clarksville Boat Club Dock Lights (2)	LT EXT		0533OV	34/12	
6170	Quantum Chemical Dock Lights (2)	LT EXT		0436UM	31/01	
6650	S. T. Services Terminal Lights (2)	LT EXT			41/14	
6695	Continental Grain Company Light	LT EXT			41/14	
7225	Cargo Carriers Dock Lights (2)	LT EXT			25/08	
7235	Pekin Boat Club Breakwater Light	LT EXT			05/16	
7250	Shell Dock Lights (2)	LT EXT		0123UM	16/02	
7255	Adm Growmark Mooring Light	LT EXT		0122UM	16/02	
7260	Sours Grain Tramway Light	LT EXT		0279UM	21/03	
7265	Tomen Dock Light	LT EXT			25/08	
7295	Adm Growmark Mooring Lights (3)	LT EXT		0281UM	21/03	
7460	Cargill Mooring Lights (2)	LT EXT		0284UM	21/03	
7620	Cargill Dock Lights (2)	LT EXT			35/08	

7725	Cargill Terminal Lights (2)	LT IMCH	0171UM	26/18
7730	Public Service Co. Dock Lights (6)	LT EXT	0119UM	20/18
7730	Public Service Co. Dock Lights (6)	LT IMCH	0171UM	26/18
7760	Adm Growmark Grain Elevator Lights (2)	LT IMCH	0171UM	26/18
9440	Black Dog Lights (5)	LT EXT	0185UM	43/16
9475	Pollution Control Station Light	LT EXT	0197UM	31/23
9965	Huffman Grain Light	STRUCT DEST	0131LM	08/16
10300	Cargill Dock Light	LT EXT	0361LM	34/01
10390	Peavey Lights (2)	LT EXT	0398LM	36/02
10395	Suburban Propane Dock Light	LT EXT	0396LM	36/02
10415	Western Tar Products Dock Light	LT EXT	0394LM	36/02
11943	Bear Industries Barge Dock Lights (4)	LT EXT	0600NO	30/17
11990	Riverside Dock Lights (2)	LT EXT	0695UM	40/01
12080	University Dock Lights (3)	LT EXT	0696UM	40/01
12215	Koch Fuel Dock Lights (2)	LT EXT		35/16
12320	Newport Terminal Lights (2)	LT EXT		35/16
12385	Shiely Dock Lights (2)	LT IMCH		35/16
12712	City of Red Wing Metering Station Special Light	MISSING		42/16
12768	Consolidated Grain and Barge Loading Dock Piling Lights (2)	MISSING		42/16
12930	Alma City Dock Light/Daymarks (3)	MISSING		42/16
13405	G. Heileman Brewery Dock Light	MISSING		42/16
14756	Isle Of Capri Casino Marina Daybeacon	MISSING		03/16
15345	Koch Nitrogen Dock Light	LT EXT		41/14
15425	Hall Towing Light	STRUCT DEST	0280UM	25/20
15822	Hannibal Intake Light	LT EXT	0358UM	32/20
16100	Jersey County Grain Dock Lights (2)	LT EXT		19/16
16205	Piasa Harbor Light	LT EXT	0131UM	22/15
16220	Con-Agra Mooring Lights (2)	LT EXT		21/16
16230	Alton Marina Breakwater Lights (3)	LT EXT	0131UM	22/15
16265	Amoco Dock Light	STRUCT DEST		35/09
16280	Amoco Dock Lights (4)	LT EXT		35/09
16310	Sioux City/New Orleans Terminal Light	STRUCT DEST		35/09
16380	Western Dock Lights (9)	LT IMCH		34/08
16390	Adm-Growmark Dock Lights (4)	LT EXT	0776UM	44/01
16430	Union Electric Coal Dock Lights (2)	LT EXT	0305UM	34/08
16445	Continental Cement Lights (2)	LT EXT	0305UM	34/08
16505	Peavey Company Dock Lights (3)	LT EXT	0305UM	34/08
16530	Cahokia Marine Terminal Lights (2)	LT EXT	0305UM	34/08
16540	Slay Bulk Terminal Lights (2)	LT EXT	0305UM	34/08
16545	Peavey Lights (3)	LT EXT	0305UM	34/08
16550	Eagle Marine Industries Light	LT IMCH	0305UM	34/08
16560	Phillips Pipeline Lights (2)	LT EXT	0305UM	34/08
16565	Growmark Dock Lights (2)	LT EXT	0305UM	34/08
16575	Eagle Marine Dock Lights (2)	LT EXT	0305UM	34/08
16600	J.H. Collier Barge Mooring Lights (2)	LT EXT	0305UM	34/08
16605	Clark Oil Refining Dock Lights (4)	LT EXT	0305UM	34/08
16609	Alcoa Foil Lights (2)	LT EXT	0305UM	34/08
16615	Hci Chemtech Dock Lights (2)	LT EXT	0305UM	34/08

16617	Semmaterials Terminal Lights (2)	LT EXT	0305UM	34/08
16630	American Commercial Dock Lights (2)	LT EXT	0305UM	34/08
16655	Bussen Terminal Light	LT EXT	0305UM	34/08
18700	Bunge Dock Lights (3)	MISSING/LT EXT		18/08
19185	St. Joseph L & P Dock Light	LT IMCH		17/08
19415	Leavenworth Water Intake Lights (2)	LT EXT	0104UM	39/07
19460	Smoot Grain Dock Lights (2)	LT EXT	0385UM	39/07
19505	Board Of Public Utilities Light	LT EXT	0386UM	39/07
19535	Public Utilities Intake Lights (3)	LT EXT		38/08
19660	Continental Grain Dock Lights (4)	LT EXT	0181UM	24/08
19695	Kansas City Power And Light Company Lights (2)	LT EXT	0181UM	24/08
20870	U.E. Callaway Intake Lights (2)	LT EXT	0522UM	52/20
22873	Moon Township Municipal Authority Back Channel Outfall Danger Buoy	OFF STA	0108OV	14/21
24005	Bens Run Light	LT EXT		03/20
24580	Ohio Power Coal Dock Light	LT EXT	0480OV	44/21
25820	Cargill Barge Loading Facility Light	LT EXT	0552OV	40/09
26290	Boone County Sand And Gravel Lights (2)	LT EXT	0769OV	40/00
26833	Transmontaige Dock Lights (2)	LT EXT	0286OV	28/21
26860	Dupont Chemical Lights (2)	LT EXT	0330OV	17/18
27590	Transmontaigne Dock Lights (4)	LT EXT		40/21
29997	Cityview at Riverwalk Dock Light	LT EXT	0284OV	28/23
32900	Ergon Dock Lights (2)	LT IMCH		17/13
	Alcosan-Mascaro Temporary Lighted Danger Buoy	MISSING		24/22

**DISCREPANCIES (PRIVATE AIDS) CORRECTED**

LLNR	Aid Name	Status	Chart No.	BNM Ref.	LNM St	LNM End
------	----------	--------	-----------	----------	--------	---------

None

**PLATFORM DISCREPANCIES**

Name	Status	Position	BNM Ref.	LNM St	LNM End
------	--------	----------	----------	--------	---------

None

**PLATFORM DISCREPANCIES CORRECTED**

Name	Status	Position	BNM Ref.	LNM St	LNM End
------	--------	----------	----------	--------	---------

None

**SECTION III - TEMPORARY CHANGES and TEMPORARY CHANGES CORRECTED**

This section contains temporary changes and corrections to Aids to Navigation for this edition. When charted aids are temporarily relocated for dredging, testing, evaluation, or marking an obstruction, a temporary correction shall be listed in Section IV giving the new position.

**TEMPORARY CHANGES**

LLNR	Aid Name	Status	Chart No.	BNM Ref.	LNM St	LNM End
7015	Blue Creek Point Lower Lighted Buoy	TRUB		0379UM	51/21	
7030	Drolls Point Upper Lighted Buoy	TRUB		0379UM	51/21	
7040	Peoria Heights Lighted Buoy	TRUB		0379UM	51/21	
10455	Armstrong Bar Light	RELOCATED			23/18	
11275	Marshall Point Cut-Off Daybeacon	TRDBN			49/16	
29880	Kinnikinnic River Daybeacon	DISCONTINUED			21/20	

**TEMPORARY CHANGES CORRECTED**

LLNR	Aid Name	Status	Chart No.	BNM Ref.	LNM St	LNM End
------	----------	--------	-----------	----------	--------	---------

None

**PLATFORM TEMPORARY CHANGES**

Name	Status	Position	BNM Ref.	LNM St	LNM End
------	--------	----------	----------	--------	---------

None

**PLATFORM TEMPORARY CHANGES CORRECTED**

Name	Status	Position	BNM Ref.	LNM St	LNM End
------	--------	----------	----------	--------	---------

None

---

---

**SECTION V - ADVANCE NOTICES**

This section contains advance notice of approved projects, changes to aids to navigation, or upcoming temporary changes such as dredging, etc. Mariners are advised to use caution while transiting these areas.

**SUMMARY OF ADVANCED APPROVED PROJECTS**

<u>Approved Project(s)</u>	<u>Project Date</u>	<u>Ref. LNM</u>
None		

Advance Notice(s)  
None

---

---

**SECTION VI - PROPOSED CHANGES**

Periodically, the Coast Guard evaluates its system of aids to navigation to determine whether the conditions for which the aids to navigation were established have changed. When changes occur, the feasibility of improving, relocating, replacing, or discontinuing aids are considered. This section contains notice(s) of non-approved, proposed projects open for comment. SPECIAL NOTE: Mariners are requested to respond in writing to the District office unless otherwise noted (see banner page for address).

**PROPOSED WATERWAY PROJECTS OPEN FOR PUBLIC COMMENT**

<u>Proposed Project(s)</u>	<u>Closing</u>	<u>Docket No.</u>	<u>Ref. LNM</u>
None			

Proposed Change Notice(s)  
None

---

---

**SECTION VII - GENERAL**

This section contains information of general concern to the Mariners. Mariners are advised to use caution while transiting these areas.

**ARKANSAS RIVER  
MILE 118.2 - BRIDGE PROTECTION CELL DAMAGE**

The upstream left descending pier protection cell at the Clinton Presidential Park Bridge in the vicinity of Mile 118.2, is damaged and leaning into the left descending bridge pier. Mariners are urged to exercise caution in the area. Mariners may contact the USACE Little Rock District Office at (501) 324-5096 or via e-mail at: ceswl-op-om@usace.army.mil, for additional information.

LNM: 48-21

**BIG SANDY RIVER  
MILE 6.0 - INTAKE SCREEN INSTALLATION**

Continuing until November 30, 2023, Superior Marine Inc., will be installing water intake screens along the left descending bank, in the vicinity of Mile 6.0. The contractor's floating plant will consist of the M/V MORGAN LEIGH and one barge mounted crane. Work will be conducted from 7:00 a.m. until 5:00 p.m., Monday through Friday. The M/V MORGAN LEIGH will monitor VHF-FM Channel 13 or 16. During nonworking hours, the contractor's floating plant will be moored at the worksite and lighted accordingly. Mariners are urged to transit the area at their slowest safe speed to minimize their wake and proceed with caution.

LNM: 43-23

**CUMBERLAND RIVER  
MILE 190.4 - BRIDGE MAINTENANCE**

Louisville and Nashville (CSX) Railroad Drawbridge; Vertical clearance is reduced by 4 feet due to installed containment system. The bridge remains fully operational. Mariners are advised to contact the bridge tender via VHF-FM Channel 16 or the maintenance supervisor, at (989) 717-3192, for

**CUMBERLAND RIVER  
MILE 190.4 - BRIDGE MAINTENANCE**

additional information.

LNM: 35-22

**MILE 103.3 - DOCK REPAIRS**

Continuing until January 11, 2024, Southern Marine Construction will be conducting dock repairs at Mile 103.3. Work will be conducted daily, during daylight hours. M/V LOIS BIDDER will monitor VHF-FM Channel 13. Mariners are urged to maintain a proper lookout and exercise caution in the area.

LNM: 37-23

**MILE 2.8 - BRIDGE DEMOLITION**

Lucy Jefferson Lewis Memorial Bridge; Explosive demolition of the existing bridge will occur on the morning of November 29, 2023 or November 30, 2023. The navigation channel will be blocked for approximately 24-hours for the removal of the span, or until the bridge pieces are removed from the channel. A Safety Zone will be in affect during this evolution.

LNM: 46-23

**GREEN RIVER  
MILE 8.3 - BRIDGE OPERATION**

Louisville and Nashville Railroad Drawbridge; Due to construction, the drawbridge will open on demand from 6:00 a.m. to 4:30 p.m., daily. At all other times the drawbridge will be kept in the open-to-navigation position.

LNM: 33-23

**ILLINOIS WATERWAY  
MILE 288.7 - MILE 287.3 - BRIDGE REPAIRS**

Joliet Harbor Bridges; Due to ongoing bridge work, mariners are required to provide 1-hour advance notice, when requesting drawspan openings.

LNM: 19-20

**MILE 287.3 - BRIDGE MAINTENANCE**

McDonough Street Bridge; Due to cleaning and painting of the drawbridge, mariners are requested to provide a one-hour advance notice to the bridge operator for a bridge opening.

LNM: 26-23

**MILE 239.4 - BRIDGE MAINTENANCE**

Burlington Northern Railroad Drawbridge; Continuing through December 1, 2023, horizontal clearance may be reduced due to a work barge conducting repairs. Work will be conducted from 6:00 a.m. until 6:00 p.m., Monday through Saturday. M/V MEGHAN B., will monitor VHF-FM Channel 13 or 16 and requests 1-hour advance notice of passage. Mariners may contact Jason Brown at (815) 617-2984, for further information. Mariners are urged to transit the area at their slowest safe speed to minimize their wake and proceed with caution after passing arrangements have been made.

LNM: 46-23

**MILE 189.1 - BRIDGE MAINTENANCE**

Continuing until further notice, bridge maintenance will be conducted on the Lacon Highway Bridge. Vertical clearance may be reduced by 30 feet, due to containment/work platform below the bridge deck. Mariners are urged to exercise caution while transiting under the bridge. Mariners may contact the Lacon Highway Bridge crew via VHF-FM Channel 13 or 16.

LNM: 31-23

**MILE 173.1 - CHANNEL CONDITION**

Shoaling has been reported along the RDB in the vicinity of Mile 173.1, 100 feet off Blue Creek Point. Mariners are urged to transit the area with caution.

LNM: 47-23

**MILE 151.2 - BRIDGE OPERATION**

Pekin Railroad Drawbridge; Continuing until further notice, the bridge will be unattended and left in the open-to-navigation position. The bridge shall initiate the closing sequence for an approaching train by broadcasting the closure on VHF-FM Channel 16, 10-minutes prior to closure and immediately prior to closing. If no mariners respond to the broadcast, the operator of the bridge may begin the closing sequence. For additional information, mariners may contact Joe Ballou, with Union Pacific Railroad, at (708) 990-8513.

LNM: 34-22

**MILE 87.9 - CHANNEL CONDITION**

Due to shoaling and low water in the vicinity of Mile 87.9, mariners are advised to favor the sailing line and are recommended to limit barge drafts to 9 feet. Mariners are urged to exercise caution while transiting the area, and report areas of shoaling or groundings to the U.S. Coast Guard Western Rivers Command Center, at (314) 269-2332.

LNM: 48-23

**KANAWHA RIVER  
MILE 37.3 - STREAM BANK PROTECTION**

Continuing until December 15, 2023, Amherst Madison is conducting stream bank protection operations in the vicinity of Mile 37.3, LDB. The contractor's floating plant will consist of the M/V MILTON, a barge mounted crane and one jumbo deck barge. The M/V MILTON will monitor VHF-FM Channel 13 or 16. Work will be conducted from 6:30 a.m. until 4:30 p.m., Monday through Friday. During non-working hours, the contractor's floating plant will be moored at the worksite and lighted accordingly. Mariners are urged to transit the area at their slowest safe speed to minimize their wake and proceed with caution.

**KANAWHA RIVER  
MILE 37.3 - STREAM BANK PROTECTION**

LNM: 48-23

**LOWER MISSISSIPPI RIVER  
MILE 881.2 - PARTIALLY SUBMERGED BARGE**

A partially submerged barge has been reported in the vicinity of Mile 881.2, LDB, on September 29, 2023. The partially submerged barge is reportedly not marked. Mariners are urged to transit this area with caution.

LNM: 40-23

**MILE 734.7 - BRIDGE MAINTENANCE**

Memphis Highway Bridge; Due to maintenance on the bridge, a containment system is installed and will hang 2 feet below low steel following the contour of the bridge. Mariners are advised to transit the area with caution.

LNM: 17-23

**MILE 661.7 - SALVAGE OPERATION**

Continuing until further notice, M/V AARON CHARLES will be conducting salvage operations along the LDB, in the vicinity of the Helena Highway Bridge. Work will be conducted from 7:00 a.m. until 5:00 p.m., daily. Mariners are requested to maintain one-way traffic and transit the west span of the bridge. M/V AARON CHARLES will monitor VHF-FM Channel 16, and may be contacted, at (225) 454-5530, for further information. Mariners are advised to transit with caution and transit at the slowest safe speed once passing arrangements have been made.

LNM: 45-23

**MILE 652.0 - DREDGE OPERATION**

Continuing until further notice, dredge operations are being conducted in the vicinity of Philips City Harbor. A discharge pipe will extend into the Lower Mississippi River in the vicinity of Mile 652.0, along the RDB. Mariners may contact the Great Lakes Dredge and Dock via VHF-FM Channel 16, or at (772) 559-9889, for further information.

LNM: 47-23

**UPPER MISSISSIPPI RIVER  
MILE 815.2 - L/D RESTRICTION**

Mariners are advised to stay clear of the bullnose section of the upper guide wall at L/D Nr. 2, as it contains unprotected concrete and the potential for exposed steel. All tows should avoid landing or rubbing on the exposed section, which is primarily on the river side and tip of the bullnose. Mariners should be alert for and abide by instructions from the Lockmaster. Mariners may contact L/D Nr. 2 via VHF-FM Channel 14 or, at (651) 290-5828, for assistance.

LNM: 44-23

**MILE 640.9 - MILE 640.6 - SUBMERGED BUOY**

A submerged buoy has been reported at approximate Mile 640.7, LDB. The submerged buoy is reportedly not marked. Mariners are urged to exercise caution when transiting this area. For further information, mariners may contact U.S. Coast Guard Western Rivers Command Center, at (314) 269-2332.

LNM: 28-23

**MILE 241.4 - LOCK CLOSURE**

Continuing until December 29, 2023, L/D Nr. 25 will have 18 intermittent closures for installation of floating mooring bits and placement of concrete in the miter gate recess. Closures of up to 12-hours can be expected during this time. Attached as an enclosure to this LNM, is USACE St. Louis Navigation Bulletin 23-09, regarding temporary delays/closures at L/D Nr. 25, at Mile 241.4

LNM: 33-23

**MILE 184.5 - SUBMERGED OBSTRUCTION**

A submerged object has been reported near Mile 184.5, RDB, on November 3, 2023. The submerged object is reportedly not marked. The submerged object may be dangerous when the water level is at 0 feet or below. Mariners are urged to avoid the RDB, in this area during periods of low water.

LNM: 45-23

**MILE 171.5 - DREDGE OPERATION**

Continuing until further notice, the Dredge GOETZ is conducting dredging operations in the vicinity of Mile 171.5. Operations will be conducted 24-hours a day, 7-days a week. Dredge GOETZ will monitor VHF-FM Channel 13, 16 or 82A, and requests 30-minutes advance notice of passage. Mariners are urged to transit the area at their slowest safe speed to minimize their wake and proceed with caution after passing arrangements have been made.

LNM: 48-23

**MILE 168.6 - BRIDGE MAINTENANCE**

Jefferson Barracks Dual Bridge; Due to a containment system installed below low steel, vertical clearance has been reduced to 84 feet. Mariners are advised to transit the bridge with caution.

LNM: 17-22

**MILE 109.9 - BRIDGE CONSTRUCTION**

Chester Bridge; A crane barge will be encroaching into the auxiliary channel, approximately 25 feet from the center navigation pier, to conduct drilled shaft operations for the new bridge. Mariners may contact the M/V ANDREA or M/V RUBY BELLE via VHF-FM Channel 13 or 16, for further information.

LNM: 43-23

**MILE 95.0 - DREDGE OPERATION**



**MILE 95.0 - DREDGE OPERATION**

Continuing until further notice, the Dredge POTTER will be conducting dredging operations in the vicinity of Mile 95.0. Work will be conducted 24-hours a day, 7-days a week. The floating plant will consist of the Dredge POTTER, tender boats, small boats, barges and pipeline. While dredging, dredge spoils will be pumped through a pontoon line or self-floating pipeline, which may be crossing the channel and is placed outside of the navigation channel. The Dredge POTTER will monitor VHF-FM Channel 13 or 16 and requests 30-minutes advance notice of passing. Mariners are urged to transit the area at their slowest safe speed and proceed with caution after passing arrangements have been made.

LNM: 48-23

**MONONGAHELA RIVER**

**MILE 40.0 - AID TO NAVIGATION**

A nun buoy has been reported off station in the vicinity of Mile 40.0. Mariners are urged to exercise caution in the area.

LNM: 47-23

**MILE 6.0 - AID TO NAVIGATION**

A nun buoy has been reported off station in the vicinity of Mile 6.0. Mariners are urged to exercise caution in the area.

LNM: 47-23

**MUSKINGUM RIVER**

**MILE 49.4 - BRIDGE - PUBLIC NOTICE**

Temporary Bridge Across the Canal; A public notice has been issued for the construction of a temporary bridge across the Muskingum River Canal, Mile 49.4, at McConnellsville, OH. Attached as an enclosure to this LNM, is U.S. Coast Guard DWB Public Notice 912-23, regarding the bridge construction and vertical clearances.

LNM: 47-23

**OHIO RIVER**

**MILE 2.5 - MILE 3.0 - HELICOPTER OPERATION**

Commencing December 2, 2023, and continuing through December 3, 2023, there will be helicopter operations in the back channel of Brunot Island, PA., between approximate Miles 2.5 and 3.0. Operations will be conducted from 8:00 a.m. until 6:00 p.m., daily. The U.S. Coast Guard COTP Ohio Valley has established a Safety Zone closing the river for this event. Vessels are prohibited from transiting this area during the event period, unless otherwise authorized by the U.S. Coast Guard. Mariners may contact the Event Manager, at (305) 783-0373, for additional information.

LNM: 47-23

**MILE 111.5 - PIPE REPLACEMENT OPERATION**

Continuing until January 15, 2024, pipe replacement operations will be conducted along the right descending bank, in the vicinity of Mile 111.5. Mariners may contact U.S. Coast Guard Sector Ohio Valley via VHF-FM Channel 16, for additional information. Mariners are requested to transit the area at their slowest safe speed to minimize their wake and proceed with caution.

LNM: 39-23

**MILE 308.8 - BRIDGE MAINTENANCE**

Sixth Street Bridge; Due to cleaning and painting of the bridge, a containment system is installed and will hang 4 feet below low steel and follows the contour of the bridge. Vertical clearance is reduced to 70.4 feet above normal pool. Mariners are advised to transit the bridge with extreme caution.

LNM: 17-23

**MILE 436.2 - L/D CLOSURE**

Continuing until further notice, the Captain Anthony Meldahl L/D main chamber, in the vicinity of Mile 436.2, will be closed. This closure is due to safety concerns resulting from the condition of the miter gates. During the main chamber closure, the auxiliary chamber will be available for lockage. Mariners are urged to contact the lockmaster via VHF-FM Channel 13, for additional information.

LNM: 47-23

**MILE 535.0 - DOLPHIN CONSTRUCTION**

Continuing through January 31, 2024, Carlisle and Bray Enterprises will be installing two dolphins and keyway structure, at Mile 535.0. Work will be conducted 7-days a week, from 7:00 a.m. until 5:30 p.m. The contractor's equipment will consist of a barge mounted crane and pile hammers. Mariners are requested to transit the area at their slowest safe speed to minimize their wake and proceed with caution.

LNM: 31-23

**MILE 558.0 - AID TO NAVIGATION**

A can buoy has been reported off station in the vicinity of Mile 558.0. Mariners are urged to exercise caution in the area.

LNM: 48-23

**MILE 789.0 - MILE 791.3 - FACILITY CONSTRUCTION**

Continuing until approximately September 30, 2025, Meuth Construction Supply Inc., is constructing a facility adjacent to the navigation channel between approximate Miles 789.0 and 791.3, RDB. Sixteen tri-tie dolphins will be constructed to anchor barges along the riverbank. Construction for this facility will be performed from a floating plant. The contractor's floating plant will never extend more than 180 feet from the shoreline, at normal pool. The construction contractor will monitor VHF-FM Channel 7, 13 or 16. Mariners are urged to transit the area with caution.

LNM: 39-22

**MILE 846.0 - JOHN T. MYERS L/D CLOSURE**

The Auxiliary (600-foot) chamber is scheduled to be closed through December 20, 2023, to allow miter gate repairs by the Heavy Capacity Fleet. All traffic will pass through the Primary (1,200-foot) chamber during the closure.

LNM: 46-23

**MILE 849.0 - MILE 850.0 - STONE PLACEMENT/DIKE CONSTRUCTION**

Continuing until December 23, 2023, Luhr Bros Inc., will be conducting stone placement for constructing 7 dikes near the confluence of the Wabash and Ohio Rivers, below J.T. Myers L/D, between approximate Miles 849.0 and 850.0. The contractor's floating plant will consist of the M/V SHERYL, a spud barge with an excavator, and up to 8 material barges. Work will be conducted from 7:00 a.m. to 6:00 p.m., 7-days a week. The M/V SHERYL will monitor VHF-FM Channel 13, 16 or 72. Southbound vessels are requested to contact the M/V SHERYL prior to exiting J.T. Myers Locks, and Northbound vessels are requested to contact the M/V SHERYL at Ohio River Mile 852. Mariners are urged to transit the area at their slowest safe speed to minimize their wake and proceed with caution, after passing arrangements have been made.

LNM: 38-23

**MILE 966.0 - MILE 975.0 - DREDGE OPERATION - UPDATE**

Continuing until approximately December 8, 2023, Amherst Madison, a contractor for the USACE, is conducting dredging operations downstream of the Olmsted L/D, between approximate Miles 966.0 and 975.0. The contractor's floating plant will consist of the M/V LAWSON W. HAMILTON JR., M/V BUS BROWN, 2 barge-mounted cranes and four jumbo flat barges. Work will be conducted from 9:00 a.m. until 3:00 a.m., 7-days a week. During non-working hours, the contractor's floating plant will be moored at the worksite and lighted accordingly. The contractor's floating plant will monitor VHF-FM Channel 13. Mariners are urged to transit the area at their slowest safe speed to minimize their wake and proceed with caution after passing arrangements have been made.

LNM: 48-23

**MILE 967.0 - MILE 975.0 - CHANNEL CONDITION/TRANSIT RESTRICTION**

Due to reduced channel width and ongoing dredging operations, mariners are to utilize a one-way traffic pattern while transiting from Mile 967.0 to Mile 975.0. Tows are not to meet, pass or overtake and are recommended to favor the center of the sail line. Southbound vessels will transit continuously during daylight hours. Northbound vessels will transit during nighttime hours or when there is no southbound traffic. Mariners are advised to check in with Olmsted L/D to be placed in the queue.

LNM: 47-23

**RED RIVER  
MILE 42.0 - CHANNEL CONDITION**

Shoaling has been reported in the vicinity of Mile 42.0. Mariners are urged to exercise caution in the area.

LNM: 48-23

---

---

**SECTION VIII - LIGHT LIST CORRECTIONS**

An Asterisk \*, indicates the column in which a correction has been made to new information

(1) No.	(2) Name and Location	(3) Mile	(4) Bank	(5) Characteristic	(6) Structure / Dayboard Up Down	(7) Remarks
11200	<b>FITLER BEND LIGHT</b>					Remove from list. 48/23 *
11215	<b>SEITZ LIGHT</b>					Remove from list. 48/23 *
11300	<b>KINGS POINT LIGHT</b>					Remove from list. 48/23 *
11415	<b>REID BEDFORD POINT LIGHT</b>					Remove from list. 48/23 *
11425	<b>DIAMOND LIGHT</b>					Remove from list. 48/23 *
11435	<b>NEWTOWN BEND LIGHT</b>					Remove from list. 48/23 *

---

---

**ENCLOSURES**

**USACE Channel Status Reports**

Arkansas River Channel Status Reports.

LNM: 09-23

**Special Public Notice D8 DWB-919**

Drawbridge operation on the Upper Mississippi River, St. Croix River and the Missouri River.

LNM: 47-23

**UPPER MISSISSIPPI RIVER - USACE L/D WINTER CLOSURES**

USACE St. Paul District Navigation Notice 23-09, regarding L/D winter lock closures.

LNLM: 44-23

**UPPER MISSISSIPPI RIVER - ILLINIOS RIVER - CHANNEL CONDITIONS/SAFETY ADVISORY**

U.S. Coast Guard Sector Upper Mississippi River MSIB 05-23, extreme low water advisory.

LNLM: 38-23

**TENNESSEE RIVER/CUMBERLAND RIVER - OCTOBER/NOVEMBER MARINE EVENTS**

U.S. Coast Guard Marine Safety Detachment Nashville notice of marine events and planned river closures for October and November.

LNLM: 35-23

**UPPER MISSISSIPPI RIVER - L/D Nr. 25 CLOSURES**

USACE St. Louis Navigation Bulletin 23-09, regarding temporary delays/closures at L/D Nr. 25

LNLM: 33-23

**MUSKINGUM RIVER - PUBLIC NOTICE**

U.S. Coast Guard DWB Public Notice 912-23.

LNLM: 47-23

---

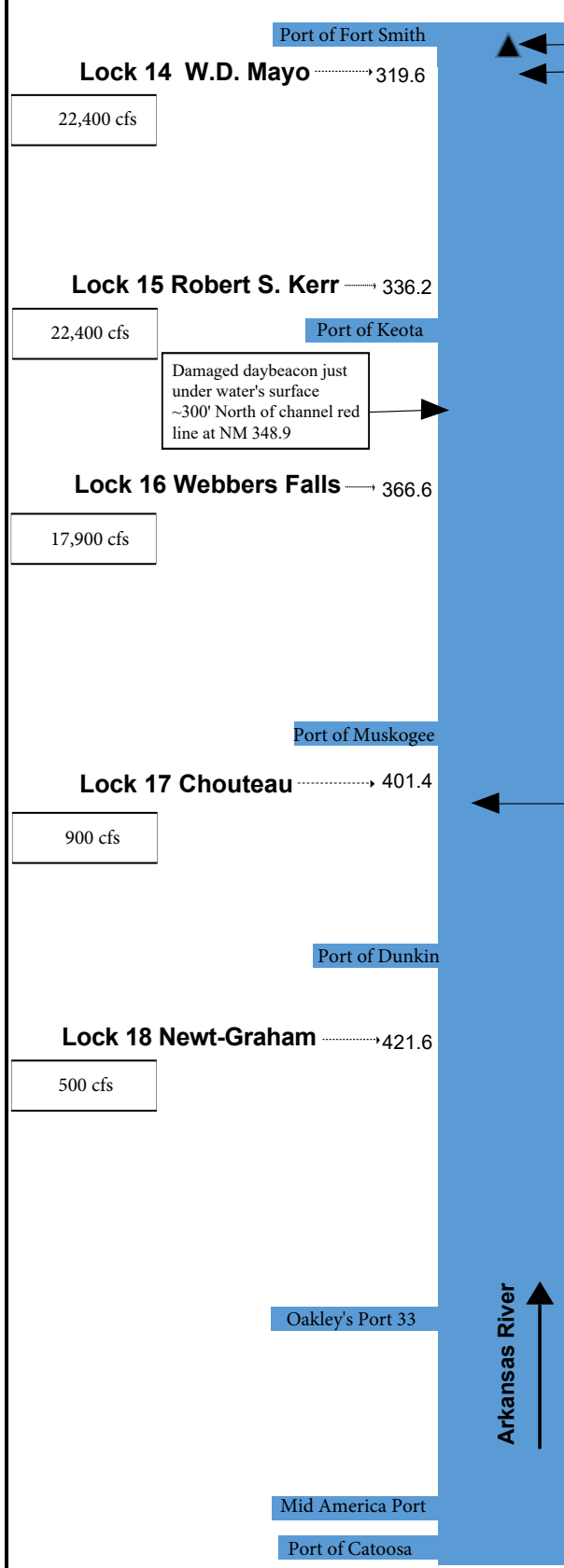
Commander, Eighth Coast Guard District  
Hale Boggs Federal Building, Room 1230  
500 Poydras Street, New Orleans, LA 70130-3310  
Telephone (504) 671-2327  
(Business Hours 7:00 a.m. - 3:30 p.m. Monday - Friday)  
(Nights, Weekends, Holidays) (855) 485-3727  
RDML Barata



**Navigation Conditions:**

<https://www.swt-wc.usace.army.mil/>

Lock & Dam - Flows	Ports	Nav Mile	Updates
--------------------	-------	----------	---------



Dredging operations should start by the end of this week.

**Caution:** NM 319.6 Salvage Crews scheduled to remove damaged cell on upstream approach beginning 20 Feb until further notice.

**TD 2023-3 NOTICE OF SCHEDULED DEMOLITION & RIVER CLOSURE HIGHWAY 62 BRIDGE NM 392.5**  
Pool No. 16 NM 392.5 will be closed to Navigation traffic from 8:00 a.m. to 7:00 p.m. March 9th, 2023, to allow for demolition and removal of bridge girders from eastbound Highway 62 Bridge. The Oklahoma Department of Transportation Contractor will be detonating and dropping the span into the river. The contractor will have 10 consecutive hours from detonation at 9:00 a.m. to completely sweep and clear the navigation channel. Not less than one hour prior to and during the detonation of explosives, the Contractor will have flagmen to warn river traffic before blasting. Flagmen shall be stationed in radio equipped boats approximately one-half mile upstream and downstream of the bridge to warn approaching river traffic of the impending action and obstructions in the river. The closure listed above is scheduled to reopen to Navigation traffic as stated, but unforeseen problems could require additional time to complete operations. Waterway users are asked to check with Lock No. 16 for the latest information and should schedule their activities accordingly. Questions or request for additional information concerning this notice should be directed to Mr. Robert Steiner; Navigation Operations Manager: 918-687-4501 or Mr. Rodney Beard; Navigation Project Manager: 918-775-4475 ext 5890.

**TD 2023-2 NOTICE OF POTENTIAL DELAYS WD MAYO L&D No. 14 NM 319.6** Mariners may expect a delay from 0700 to 1700 beginning 20 February 2023 at WD Mayo L&D 14 as a salvage crew removes a damaged cell adjacent to the upstream lock approach channel. Due to the nature of the work, the crew does not have a completion date and this Navigation Notice will remain in effect until further notice. Mariners are advised to stay up to date with the latest information. Waterway users are asked to check with Lock 14 for the latest information and should schedule their activities around this notice. Questions or request for additional information concerning this notice for Lock 14 should be directed to Mr. Robert Steiner Navigation Operation Manager: 918-775-4475 ext 5833 or Mr. Jacob Simpson; Navigation Field Engineer: 918-430-4783.

**TD 2023-1 NOTICE OF SCHEDULED LOCK CLOSURE WEBBERS FALLS L&D No. 16 NM 633.6**  
Webbers Falls Lock 16 will be closed to navigation traffic for one week from September 11th - September 17th, 2023. Crews will be dewatering the downstream center post receiver inspection. The Lock closure will begin at 0700 on September 11 and continue until 1700 on September 17. Navigation traffic is asked to plan accordingly around this closure.  
**Lock Closure dates: Sep 11 – Sep 17, 2023**  
As maintenance crews prepare the work site, intermittent delays of four or more hours should be expected several days preceding the above Lock closure. All work is expected to be completed as scheduled. However, unforeseen issues could require additional time. Waterway users are asked to check with Lock 16 for the latest information and should schedule their activities around this notice. Questions or request for additional information concerning this notice for Lock 16 should be directed to Mr. Robert Steiner Navigation Operation Manager: 918-775-4475 ext 5833 or Mr. Jacob Simpson; Navigation Field Engineer: 918-430-4783.

**TD 2022-20 NOTICE OF DEMOLITION ACTIVITIES POOL No. 16 NM 392.5**  
Mariners are advised to proceed with caution when navigating NM 392.5 due to the demolition of the Highway 62 bridge. Possible overhead falling hazards will exist as the ODOT contractor removes bridge components. Vessel traffic is advised to check navigation conditions by hailing M/V Karl R on CH 16, 30 minutes out. The demolition will continue until further notice and mariners are advised to stay up to date with the latest information. Further Navigation Notices will be released with updates, changes and/or more information. Questions or request for additional information concerning this notice should be directed to Mr. Robert Steiner Navigation Operation Manager: 918-775-4475 ext 5833 or Mr. Jacob Simpson; Navigation Field Engineer: 918-430-4783.

**TD 2022-18 NOTICE TO NAVIGATION WD MAYO L&D No. 14 NM 319.6**  
Waterway users are asked to proceed with caution when transiting on the upstream side of WD Mayo L&D 14 until further notice. The most upstream protection cell is severely damaged and now barely visible above the water line. Questions or request for additional information concerning this notice should be directed to Mr. Robert Steiner Navigation Operation Manager: 918-775-4475 ext 5833 or Mr. Jacob Simpson; Navigation Field Engineer: 918-430-4783.

**TD 2022-1 NOTICE OF DAMAGE AND POTENTIAL HAZARD: UPSTREAM GUARDWALL ARMOR CHOUTEAU L&D NO. 17, NM 401.4**  
The upstream guardwall is damaged near the miter gate recess. The steel armor plate protecting the corner has been damaged and it had to be removed. The concrete is now fully exposed. Until the repair can be made, Mariners should use caution when transiting this area. Mariners are advised to stay to the guide wall side on the upstream portion of the lock until further notice when the area can be repaired. Waterway users are asked to check with Lock No. 17 for the latest information. Questions or request for additional information concerning this notice should be directed to Mr. Brad Johnson; Navigation Manager: 918-550-9026 or Mr. Jake Simpson; Navigation Engineer: 918-430-4783.

LOCATION	NORMAL ELEVATION	DEVIATION
Lock 14 W.D. Mayo	411 - 412.5	None
Lock 15 Robert S. Kerr	458 - 460	None
Lock 16 Webbers Falls	487 - 490	None
Lock 17 Chouteau	511 - 511.5	None
Lock 18 Newt Graham	532 - 532.5	Holding pool at .4" above normal

■ Groundings  
▲ Dredge

▲ **Dredging Operations:**  
Below Lock 14 NM 319.4

[USCG Local Notice to Mariners:](#)  
[McClellan-Kerr Arkansas River Navigation System Charts 2016:](#)



16 November 2023

## SPECIAL PUBLIC NOTICE NUMBER D8 DWB-919

### UPPER MISSISSIPPI, ST. CROIX AND MISSOURI RIVERS

In accordance with 33 Code of Federal Regulations 117.671, from on or about December 15 through the last day of February at least 24 hours advance notice is required for opening all drawbridges between Lock and Dam No. 14, Mile 493.3 and Lock and Dam No. 2, Mile 815.2 UMR. The Stillwater Highway Drawbridge over the St. Croix River during the winter months from October 16 to May 14 require at least 24 hours advance notice for openings and all other bridges on the St. Croix River during winter months from November 1 to March 31 require at least 24 hours advance notice for openings, (33 CFR 117.667). In accordance with 33 CFR 117.687, drawbridges on the Missouri River require at least 24 hours advance notice during the winter operating season (December 1, 2023 to April 1, 2024) as published by the Army Corps of Engineers. A list of these bridges and the name and telephone number of the person to contact for opening each bridge is as follows:

#### UPPER MISSISSIPPI RIVER: (12 hr Advance Notice)

<u>MILE</u>	<u>BRIDGE</u>	<u>NAME AND TELEPHONE NUMBER</u>
841.4	Omaha Railroad Drawbridge	Joe Feauto: 712-292-8794
839.2	Chicago & Northwestern Railroad Drawbridge	See Omaha RR Drawbridge
835.7	Beltline Railroad Drawbridge	See Omaha RR Drawbridge

#### UPPER MISSISSIPPI RIVER: (24 hr Advance Notice)

<u>MILE</u>	<u>BRIDGE</u>	<u>NAME AND TELEPHONE NUMBER</u>
813.7	Hastings Railroad Drawbridge	Chris Lewzader: 563-845-9062
699.8	LaCrosse Railroad Drawbridge	See Hastings RR Drawbridge
579.9	Illinois Central Railroad Drawbridge	Chad Earle: 319-404-3417
535.0	Sabula Railroad Drawbridge	Unable to open 11-Dec-23 thru 11-Mar-24
518.0	Clinton Railroad Drawbridge	Ben Klaus: 641-750-8081 Marvin Stewart: 563-249-1334 Josh Foster: 563-559-8131

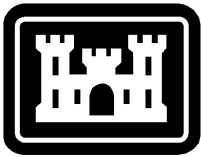
#### ST. CROIX RIVER: (24 hr Advance Notice)

<u>MILE</u>	<u>BRIDGE</u>	<u>NAME AND TELEPHONE NUMBER</u>
23.4	Stillwater Highway Drawbridge	MNDOT Dispatchers: 651-234-7110
17.3	Hudson Railroad Drawbridge	Joe Feauto: 712-292-8794
0.3	Prescott Highway Drawbridge	Zach Thomspen: 972-310-9076
0.2	Burlington Northern Santa Fe Drawbridge	Zach Thompson: 972-310-9076

**MISSOURI RIVER: (24 hr Advance Notice)**

<u>MILE</u>	<u>BRIDGE</u>	<u>NAME AND TELEPHONE NUMBER</u>
448.2	Union Pacific Railroad Drawbridge	Mark Watlington: 402-570-6947
422.5	Atchison Railroad Drawbridge	See Union Pacific RR Drawbridge
366.1	Hannibal Railroad Drawbridge	Michael Walsh: 402-937-2013
365.6	A.S.B. Highway and Railroad Drawbridge	See Hannibal RR Drawbridge
359.4	Harry S. Truman Railroad Drawbridge	Dispatch: 612-330-4544 Option 1

ERIC A. WASHBURN  
 Bridge Supervisor, Western Rivers  
 By direction of the District Commander



**US Army Corps  
of Engineers®**

## NOTICE TO NAVIGATION INTERESTS

ST. PAUL DISTRICT

180 5TH STREET EAST  
ST. PAUL MN 55101-1678  
HTTP://WWW.MVP.USACE.ARMY.MIL/

**DATE:** 11/08/2023

**POC:**

Sam Mathiowetz  
samuel.e.mathiowetz@usace.army.mil  
(651) 290-5140

**NOTICE NUMBER:** 205305-3

**LOCAL NUMBER:** UMR 23-09

**WATERWAY(S):** Mississippi River

**EFFECTIVE:** 12/04/2023 00:00 - 03/16/2024 00:00

### LOCK CLOSURES Upper Mississippi River

The following locks will be closed to all navigation during the approximate dates specified below. Note the two closure periods of 04 Dec 23 - 05 Mar 24 and 04 Dec - 15 Mar 24. If navigation is critical through these locks after the initial close date or before the scheduled reopening date, please contact Samuel Mathiowetz at (651) 290-5140 Monday through Friday between 0700 and 1530 hrs.

<u>River Mile</u>	<u>Project</u>	<u>Repairs</u>	<u>Dates</u>
815.2	Lock 2	Dewater and concrete repairs	04 Dec 23 - 05 Mar 24
752.8	Lock 4	Contractor guide wall end cell	04 Dec 23 - 05 Mar 24
<u>River Mile</u>	<u>Project</u>	<u>Repairs</u>	<u>Dates</u>
796.9	Lock 3	Contractor guide wall crib rehabilitation	04 Dec 23 - 15 Mar 24
702.5	Lock 7	Contractor guide wall crib rehabilitation	04 Dec 23 - 15 Mar 24

Samuel E. Mathiowetz

Chief, Lock and Dams

//signed//







# Marine Safety Information Bulletin

U.S. Coast Guard  
Sector Upper Mississippi River  
1222 Spruce Street Ste. 7.103  
St. Louis, MO 63103

MSIB Number: 05-23  
Date: September 13, 2023  
Contact: LCDR Richard Cherkauer  
Phone: (314) 269-2560  
E-mail: Richard.G.Cherkauer@uscg.mil

*This bulletin is used purely for informational purposes to assist the maritime community within the Sector Upper Mississippi River Area of Responsibility. Its purpose is to advise relevant parties of emerging information and situations that may impact our Marine Transportation System as well as facilitate cooperation among the involved parties regarding actions that we may be taking and/or that you may need to employ in the interest of safety/security.*

## Extreme Low Water Advisory for Sector Upper Mississippi River

The Captain of the Port Upper Mississippi River has issued a Safety Advisory for all waters of the Upper Mississippi River (UMR) from Mile Marker (MM) 185.4 TO MM 109.9 and the Illinois River (ILR) from MM 0.0 to MM 187 as a result of extreme low water conditions. This safety advisory is needed to protect vessels and mariners from hazards associated with low water, including possible shoaling and decreased channel widths. This safety advisory is effective immediately with the following provisions as listed in the Waterways Action Plan (WAP) Upper Mississippi River and Illinois River Annexes.

During periods of low water as listed in the low water watch phase of the WAP (*please refer to either the UMR WAP or the ILR Annex for Low Watch and Low Action Water Levels for each zone*) it is advised to take the following precautions:

- Advise deep draft vessels to depart any areas of low water with a reminder to transit at a slow speed near fleeting areas to minimize impact.
- Place heavy barges in the middle of a tow and be aware of shifting channels.

During periods of low water as listed in the low water action phase of the WAP it is advised to take the following precautions:

- Be aware of shifting channels, emergency dredging may be required at some locations.
- Consider restrictions on single skin barge movement.
- Be mindful of both barge and tender drafts to ensure a safe transit.

During periods of extreme low water as listed in the WAP it is advised to take the following precautions:

- Be prepared for severe restriction of navigation if conditions warrant.
- Fleeting may continue if conditions warrant.

Proactive risk mitigation strategies should be utilized to safely navigate in low water conditions. Operators should closely monitor river gauge readings while transiting pools and river systems. Owners, operators and port captains preparing barges must be mindful of the drafts, particularly anticipated under keel clearance, to ensure a safe transit.

To receive the latest information, monitor marine VHF channels 14 and 16, the Upper Mississippi River Port Directory at [https://homeport.uscg.mil/port-directory/upper-mississippi-river-\(st-louis\)](https://homeport.uscg.mil/port-directory/upper-mississippi-river-(st-louis)). Hazardous conditions and marine casualty notifications should be made to the Western Rivers Command Center at (314) 269-2332 or (314) 269-2463.

Questions may be directed to the Western Rivers Command Center at (314) 269-2332 or (314) 269-2463 – these numbers are continuously monitored. Or contact the Waterways Management staff at [SUMRwaterways@uscg.mil](mailto:SUMRwaterways@uscg.mil).



R. G. Cherkauer  
Lieutenant Commander  
U. S. Coast Guard  
Chief, Waterways Management Division



## October/November 2023 Marine Event Notification & Planned River Closures

<u>Date</u>	<u>Event</u>	<u>Time</u>	<u>River/ Mile Marker</u>	<u>Waterway Closure (Yes/No)</u>
21-22-OCT	NES Powerline Maintenance	0700-1800	Cumberland / 190-191	YES
23-OCT-03-NOV	TVA MUSSEL SURVEY	0700-1700	Tennessee / 389-394	No
28 Oct	Chattajack	0700-1700	Tennessee / 462.7-467.5	Yes
30 Oct- Nov 10th	Tri-State Drilling – Boring Project	0700-1700	Cumberland / 205.5	YES
03-05 NOV	Head of the Hooch	0600-1800	Tennessee / 464-468	YES
16-NOV	Multi-Agency Mass Rescue Drill	0900-1100	Tennessee / 206-207	YES
24-NOV	Chattanooga Riverboat Fireworks	2100-2130	Tennessee / 462.7-465.5	YES

For any questions or concerns regarding marine events or scheduled river closures please call Marine Safety Detachment Nashville at (615) 736-5421 or email the staff at [msdnashville@uscg.mil](mailto:msdnashville@uscg.mil).

**US Army Corps  
of Engineers®**

ST. LOUIS DISTRICT

ATTN: CEMVS-DE  
1222 SPRUCE STREET  
ST. LOUIS MO 63103-2833  
HTTP://WWW.MVS.USACE.ARMY.MIL/

DATE: 08/10/2023

POC: Danny  
Lunsford  
573-242-3524

NOTICE NUMBER: 203408

LOCAL NUMBER: 23-09  
WATERWAY: UPPER MISSISSIPPIEFFECTIVE: 08/25/2023 06:00 thru 12/29/2023  
18:00**SCHEDULED LOCK CLOSURES - NESP PHASE 1****Lock and Dam 25****Upper Mississippi River mile 241.4**

1. As part of NESP Phase 1, Lock 25 will have 18 intermittent closures for installation of floating mooring bit and placement of concrete in the miter gate recess. Closures of up to 12 hours at time, are scheduled from 25 August 2023 through 29 December 2023.
2. The scheduled closures are subject to change due to weather and or site conditions. All changes will be scheduled through RIAC on a weekly basis.
3. Each closure is scheduled from 0600 to 1800 hours on the following days:
  1. August 25 and 31
  2. September 7, 13, 19, and 25
  3. October 23, and 27
  4. November 2, 8, 14, 20, 30
  5. December 6, 12, 18, 22, and 29
4. All navigation interest should be alert for, and abide by, any special instructions that may be issued by the Lockmaster.

**FOR THE DISTRICT ENGINEER:**

//signed//

Andrew C. Schimpf, P.E.,  
Rivers Project Manager



Commander  
 United States Coast Guard  
 Eighth Coast Guard District

2122 Spruce Street,  
 Room 2.102D  
 St. Louis, MO 63103  
 Staff Symbol: dwb  
 Phone: (314) 269-2378  
 Email:  
 eric.washburn@uscg.mil

November 8, 2023

## PUBLIC NOTICE DWB 912-23

All interested parties are herein notified that the Commander, Eighth Coast Guard District (dwb), has received application materials dated October 13, 2023, from the Ohio Department of Natural Resources for approval of location and plans for the construction of a bridge over a navigable waterway of the United States.

**WATERWAY AND LOCATION:** Muskingum River, mile 49.8, on McConell’s Island Channel, at Village of McConnelsville and Malta, Morgan County, Ohio.

**CHARACTER OF WORK:** Construct a temporary 40-foot single span two lane truss bridge to carry construction traffic over the channel during construction of the Muskingum River Lock and Dam No. 7 McConnelsville Dam Replacement. The temporary bridge will be removed when the construction of the dam is complete, and the canal will be returned to pre-construction elevations.

### MINIMUM NAVIGATIONAL CLEARANCES:

The proposed temporary bridge will have clearances as described in the table below. These clearances are an increase from current clearances of the existing to remain swing span immediately upstream over this section of the waterway at this mile.

	Existing to remain swing span	Proposed temporary bridge
<b>Vertical</b>	<b>18.1 feet</b>	<b>20.0 feet above normal pool elevation 650.2 m.s.l.</b>
<b>Horizontal</b>	<b>15.76 feet</b>	<b>36.0 feet above normal pool elevation 650.2 m.s.l.</b>

**Datum:** Horizontal NAD 83 and Vertical NAVD 88

### ENVIRONMENTAL CONSIDERATIONS:

The U.S. Army Corps of Engineers, Huntington District is the lead Federal agency for satisfying the requirements of the National Environmental Policy Act (NEPA). The U.S. Army Corps of Engineers, Huntington District is acting on behalf of the U.S. Coast Guard for all environmental control laws. An Environmental Assessment dated 14 September 2021 pursuant to NEPA, as amended. The U.S. Guard tentatively has determined that the proposed action will not have a significant impact for the purposes of NEPA and plans to issue a FONSI for the project.

Documents are available for review online at the above address, Monday through Friday, 8:00 a.m. to 4:00 p.m., excluding Federal holidays.

A Director's Authorization is being requested from Ohio Environmental Protection Agency. This will serve as the water quality certification in accordance with Section 401 of the Clean Water Act, as amended. No wetlands will be taken or affected by this project.

The bridge is located in the floodplain. The 100-year flood elevation is 665.8 feet, while elevation of the low member of the navigation span is 670.2. Elevations are referenced to NAD 83 and NAVD 88 datum. Approximately 1,550 cubic yards of fill material will be placed below the 100 year flood elevation for the construction of the bridge and approaches.

The decision as to whether to grant approval of the location and plans for the proposed action rests primarily upon the effect it has on navigation.

#### **SOLICITATION OF COMMENTS:**

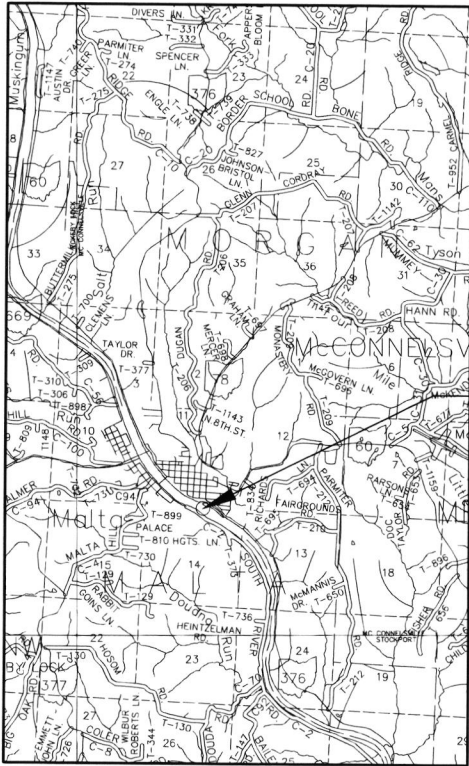
Mariners are requested to comment on the proposed navigation clearances, placement of a bridge protective system and other navigational safety issues, including need for clearance gauges and extent of nighttime navigation to determine the need for bridge lighting. Interested parties are requested to express their views, in writing, on the proposed bridge project including its possible impacts to navigation.

We will forward comments of an environmental nature such as those regarding wildlife refuges, public parks, historic sites, wetlands, floodplain issues, air, water quality, environmental justice, etc. to the U.S. Army Corps of Engineers, Huntington District. Comments will be received for the record at the address noted in the header or via email [Eric.Washburn@uscg.mil](mailto:Eric.Washburn@uscg.mil) through December 12, 2023.

Map of location and plans attached.

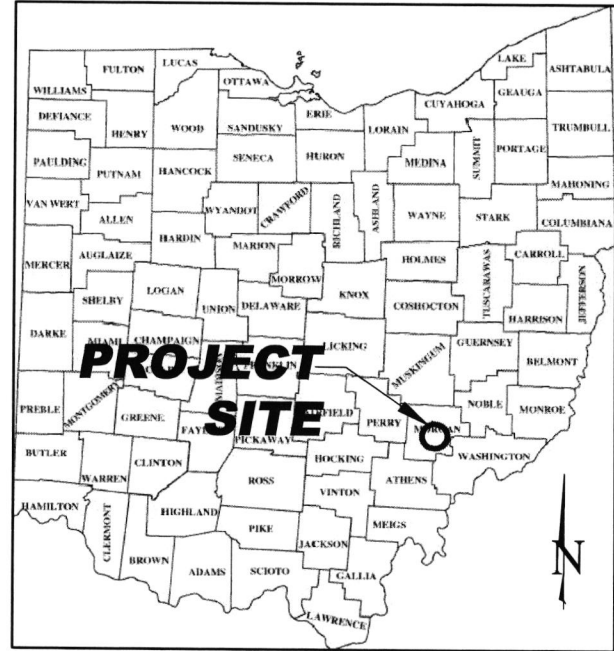
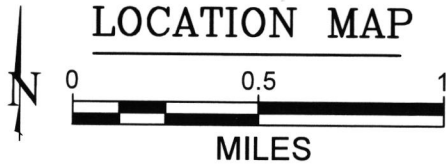


Eric A. Washburn  
Bridge Supervisor, Western Rivers  
By direction of the Commander,  
Eighth Coast Guard District



**PROJECT  
SITE**

**LOCATION MAP**



**VICINITY MAP**

**ENGINEER'S SEAL:**

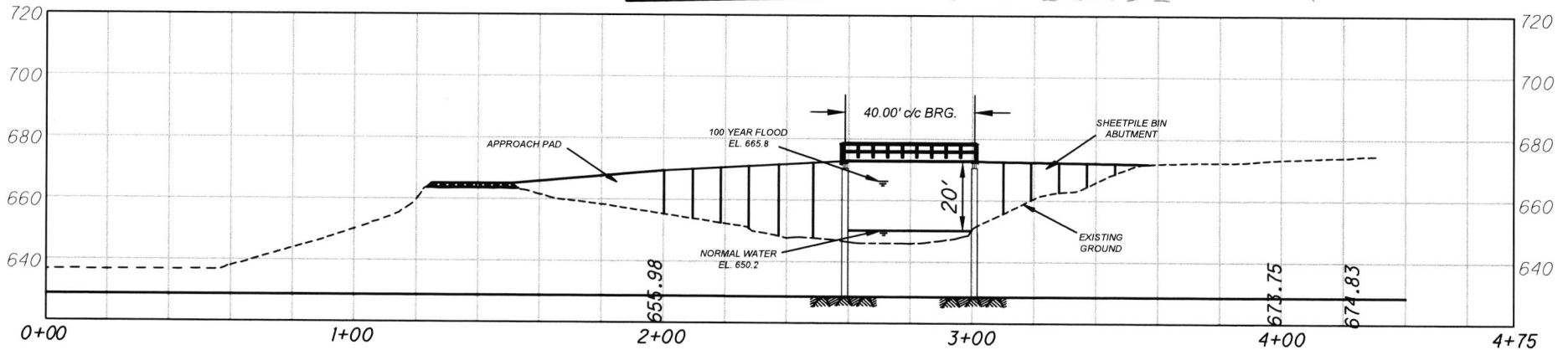
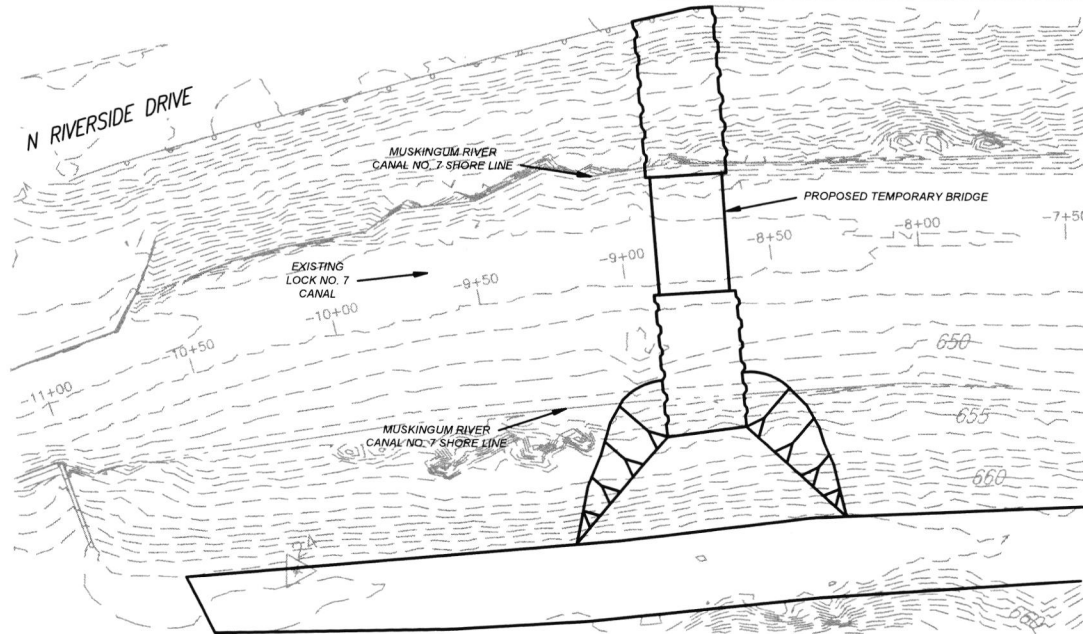
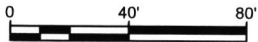
**SIGNED:**

**DATE:** 09/21/2023

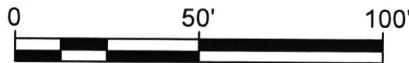
**NOT FOR CONSTRUCTION**

OHIO DEPT. OF NATURAL RESOURCES  
 MICHAEL BAKER INTERNATIONAL  
 THE RUHLIN COMPANY  
 PROPOSED TEMPORARY BRIDGE OVER  
 MUSKINGUM RIVER CANAL, LOCK NO. 7, MILE 49.4  
 McCONNELLSVILLE, OHIO  
 MORGAN COUNTY

**PLAN**



**ELEVATION**



**LEGEND**

HORIZONTAL DATUM = NAD 83  
 VERTICAL DATUM = NAVD88

ENGINEER'S SEAL:

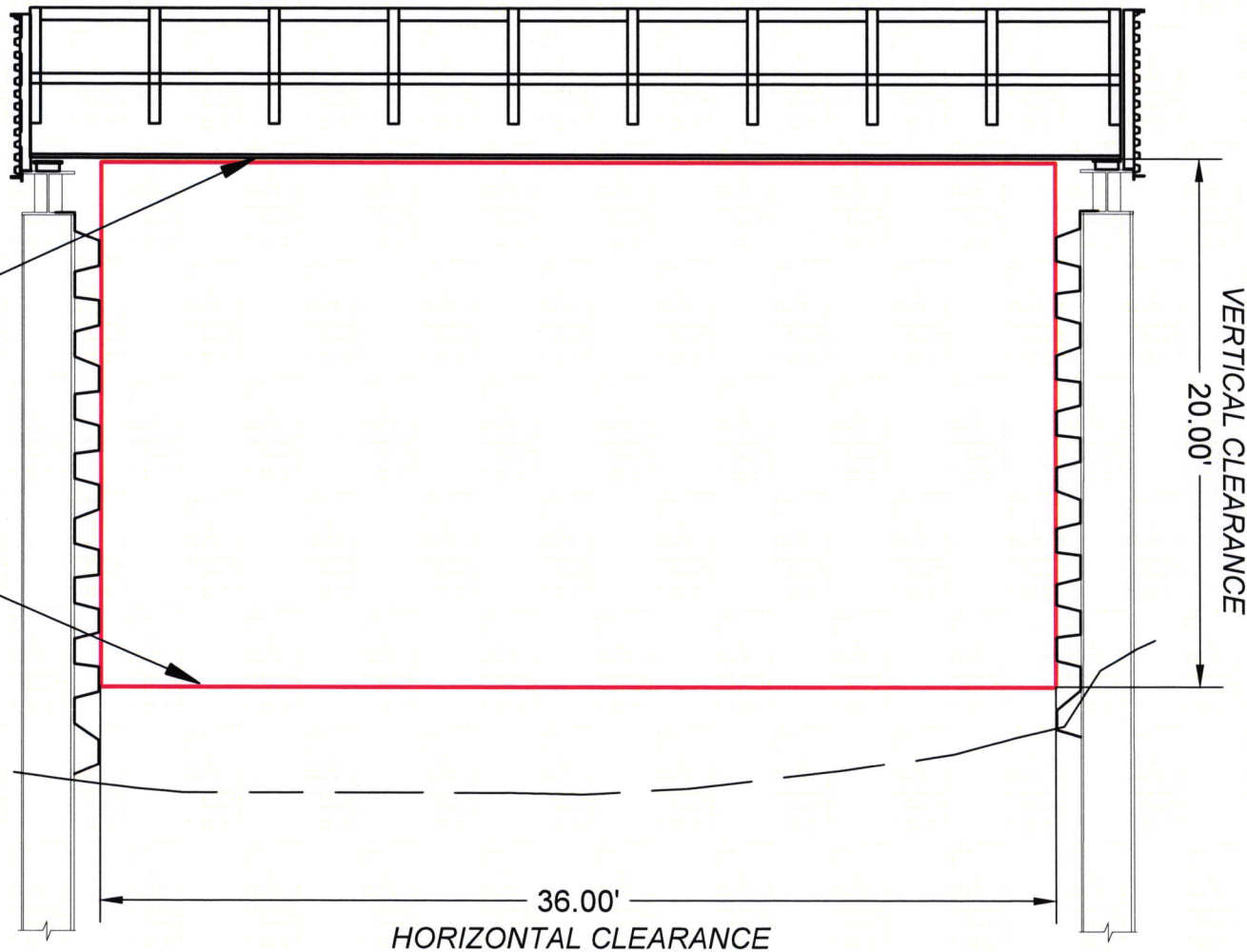


SIGNED: *[Signature]*  
 DATE: 09/21/2023

**NOT FOR CONSTRUCTION**

OHIO DEPT. OF NATURAL RESOURCES  
 MICHAEL BAKER INTERNATIONAL  
 THE RUHLIN COMPANY  
 PROPOSED TEMPORARY BRIDGE OVER  
 MUSKINGUM RIVER CANAL, LOCK NO. 7, MILE 49.4  
 McCONNELLSVILLE, OHIO  
 MORGAN COUNTY





ENGINEER'S SEAL:



SIGNED: *CLB*  
 DATE: 09/21/2023

NAVIGATION ENVELOPE

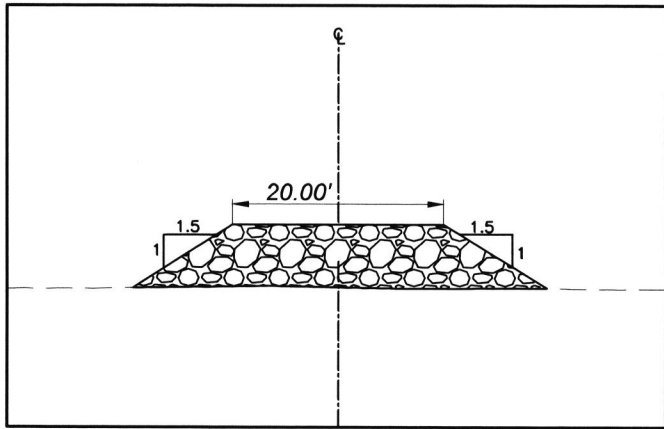


LEGEND

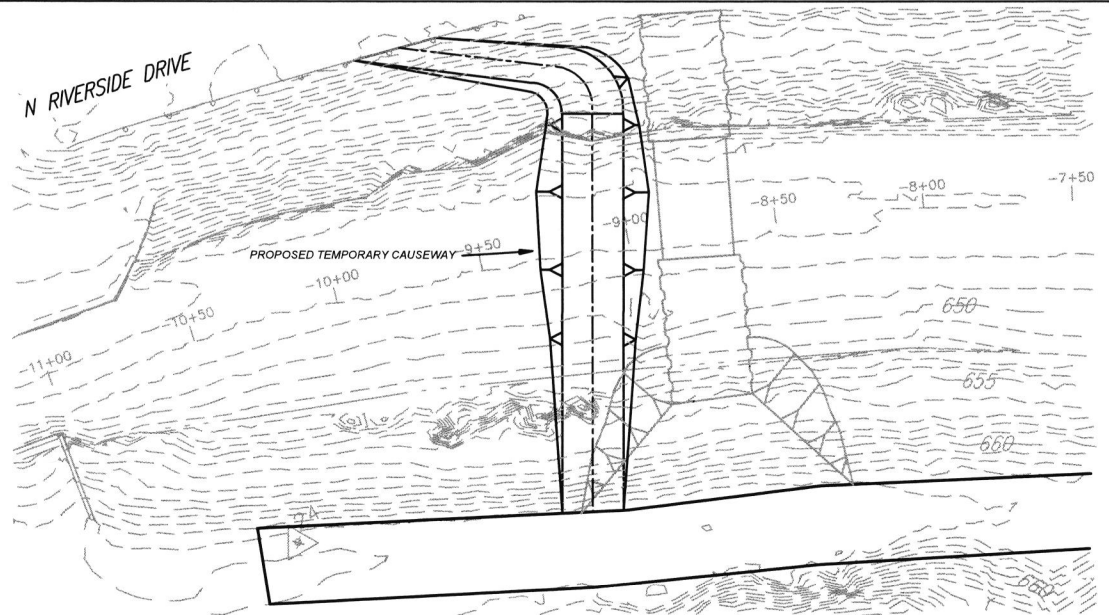
HORIZONTAL DATUM = NAD 83  
 VERTICAL DATUM = NAVD88

**NOT FOR CONSTRUCTION**

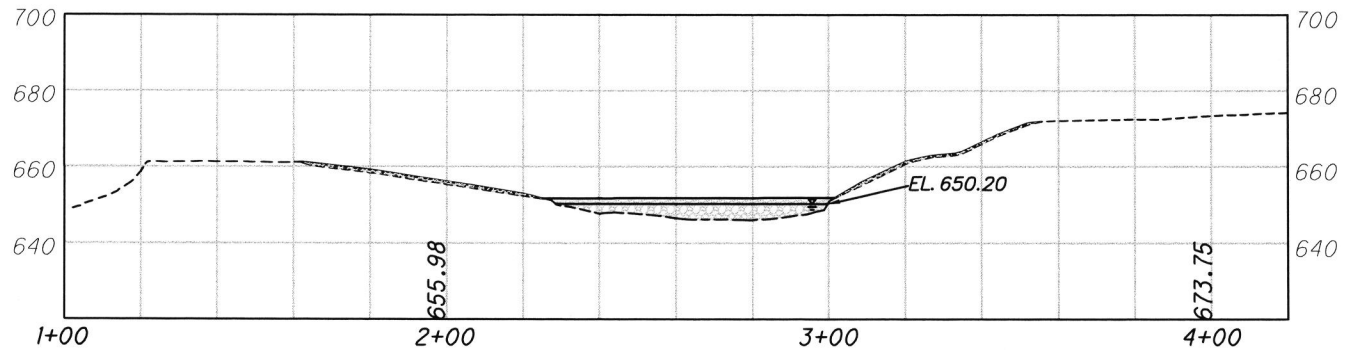
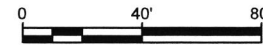
OHIO DEPT. OF NATURAL RESOURCES  
 MICHAEL BAKER INTERNATIONAL  
 THE RUHLIN COMPANY  
 PROPOSED TEMPORARY BRIDGE OVER  
 MUSKINGUM RIVER CANAL, LOCK NO. 7, MILE 49.4  
 McCONNELSVILLE, OHIO  
 MORGAN COUNTY



**CAUSEWAY SECTION**



**PLAN**



**ELEVATION**



**LEGEND**

**HORIZONTAL DATUM = NAD 83**  
**VERTICAL DATUM = NAVD88**

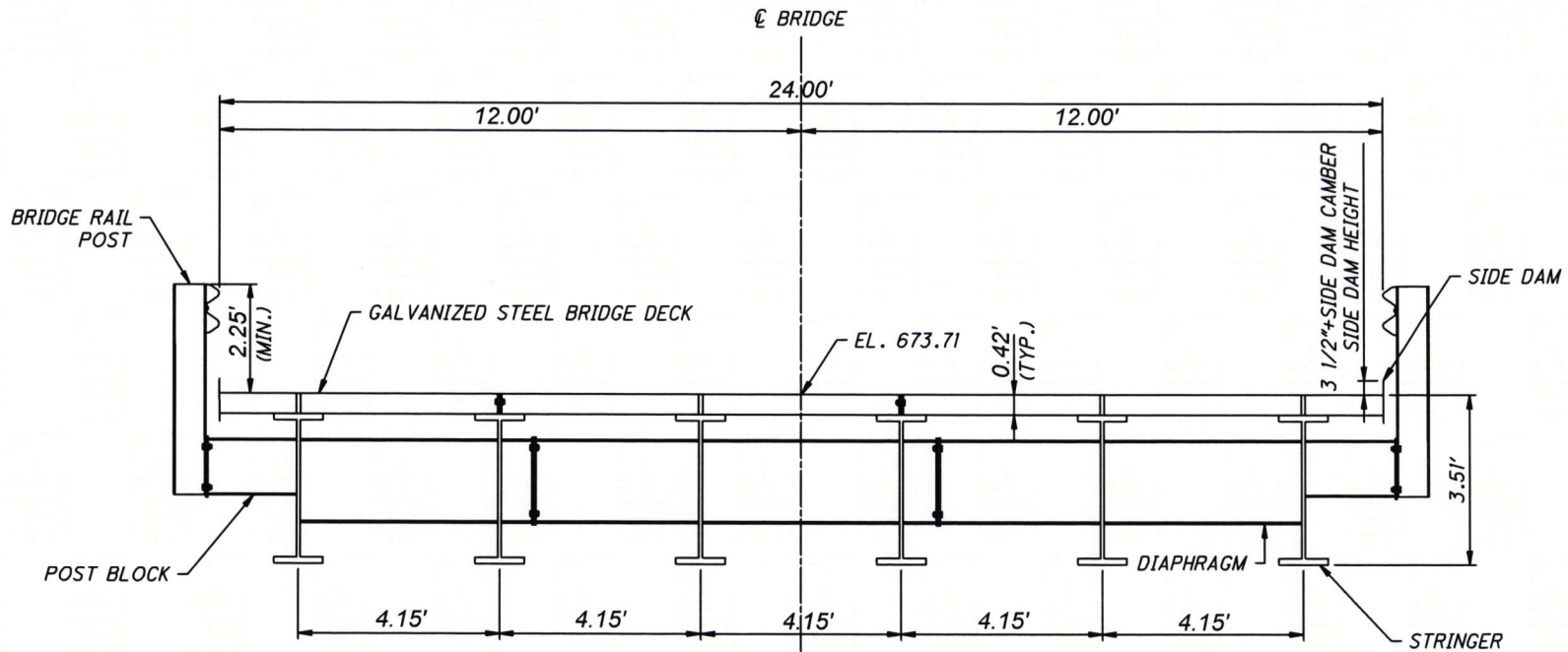
**ENGINEER'S SEAL:**



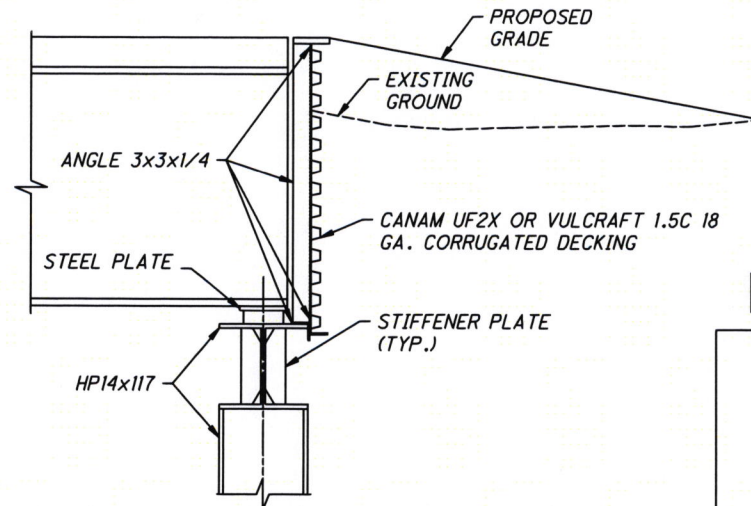
**SIGNED:** *[Signature]*  
**DATE:** 09/21/2023

**NOT FOR CONSTRUCTION**

OHIO DEPT. OF NATURAL RESOURCES  
 MICHAEL BAKER INTERNATIONAL  
 THE RUHLIN COMPANY  
 PROPOSED TEMPORARY BRIDGE OVER  
 MUSKINGUM RIVER CANAL, LOCK NO. 7, MILE 49.4  
 McCONNELSVILLE, OHIO  
 MORGAN COUNTY



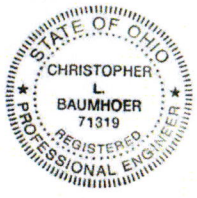
**BRIDGE TYPICAL SECTION**



**ABUTMENT TYPICAL SECTION**



ENGINEER'S SEAL:



SIGNED: *[Signature]*  
DATE: 09/21/2023

**NOT FOR CONSTRUCTION**

OHIO DEPT. OF NATURAL RESOURCES  
MICHAEL BAKER INTERNATIONAL  
THE RUHLIN COMPANY  
PROPOSED TEMPORARY BRIDGE OVER  
MUSKINGUM RIVER CANAL, LOCK NO. 7, MILE 49.4  
McCONNELSVILLE, OHIO  
MORGAN COUNTY